



**Model number**

**ICDM-RX/EN-ST/RJ45-DIN**

EtherNet/IP Gateway 1-port DIN Rail Screw Terminal

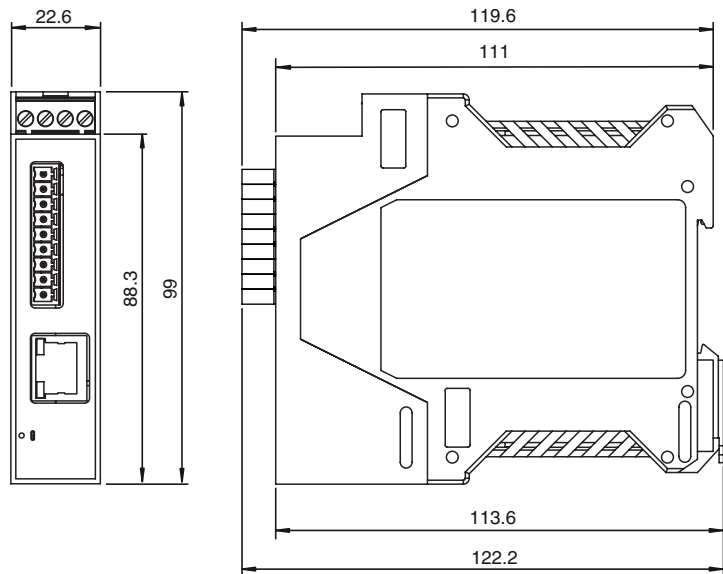
**Features**

- Web-based configuration
- DIN-rail mounting and screw terminal connections
- RS-232/422/485 software selectable interfaces
- NEMA TS2 Certified
- EtherNet/IP to serial and Ethernet TCP/IP raw/ASCII devices.

**Function**

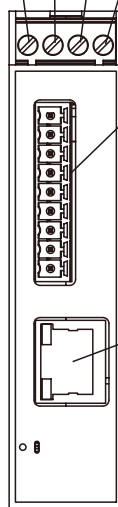
The ICDM-RX/EN product family enables the connection of serial devices (RS-232 / RS-422 / RS-485) or Ethernet TCP/IP devices to an Industrial EtherNet/IP network. Highly advanced raw/ASCII device interface functionality simplifies PLC programming and ensures robust operation. These features greatly simplify connecting devices such as barcode scanners, RFID readers, weigh scales, vision systems, printers, encoders, and sensors to PLCs. The integrated webserver enables complete configuration of all module parameters like serial interface, baud rate, parity, data bits, stop bits, flow control, or delimiting characters. Products are available in different versions for DB9 or screw terminal connection.

**Dimensions**



**Electrical connection**

Voltage  
+ - + GND



**Terminal Block**

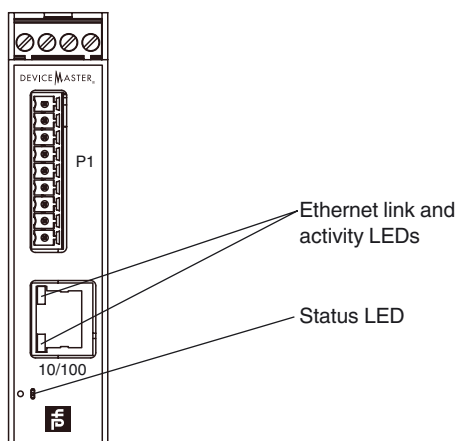
RS-232	RS-485 Full Duplex	RS-232 Half Duplex
1 = CD	1 = n.c.	1 = n.c.
2 = DSR	2 = n.c.	2 = n.c.
3 = RI	3 = n.c.	3 = n.c.
4 = DTR	4 = n.c.	4 = n.c.
5 = TxD	5 = TxD-	5 = TRxD-
6 = RTS	6 = TxD+	6 = TRxD+
7 = RxD	7 = RxD-	7 = n.c.
8 = CTS	8 = RxD+	8 = n.c.
9 = GND	9 = GND	9 = GND

**Ethernet**

1 = Tx+	5 = n.c.
2 = Tx-	6 = Rx-
3 = Rx+	7 = n.c.
4 = n.c.	8 = n.c.

Release date: 2020-01-10 15:32 Date of issue: 2020-01-10 70104871\_eng.xml

## Indicating / Operating means



## Technical data

## General specifications

UL File Number E360395

## Indicators/operating means

LED indication see manual

## Electrical specifications

Rated operating voltage  $U_e$  5 ... 30 V DC

Nominal voltage 24 V DC

## Interface

Interface type Software selectable interfaces: RS-232, RS-422, RS-485 (2 and 4-wire)

Physical 1 x screw terminal

Protocol Raw serial

Supported baud rates 300 bps to 230Kbps

## Interface 1

Interface type Industrial Ethernet

Physical 1 x RJ45

Protocol EtherNet/IP

Additional protocols ARP, BOOTP, DHCP/RARP, HTTP, HTTPS, SSH, SSL/TLS, ICMP, RFC 1006 (ISO over TCP), SNMP (MIB-II), TCP/IP & UDP socket services, Telnet, and TFTP, and supports IP multicast data transmission

Transfer rate 10/100 Mbps

## Directive conformity

Electromagnetic compatibility

Directive 2014/30/EU EN 61000-6-2, EN 55024, EN 61000-6-4, EN 55032

## Standard conformity

Degree of protection NEMA TS2

Electrical safety CSA C22.2 No. 61010-1-12 / CSA C22.2 No. 61010-1-201  
UL 61010-1 / UL 61010-1-201

Emitted interference EN 61000-6-4, EN 55032, FCC Part 15 Subpart B, ICES-003, AS/NZS CISPR 32

Noise immunity EN 61000-6-2, EN 55024

## Ambient conditions

Ambient temperature -40 ... 75 °C (-40 ... 167 °F)

Storage temperature -40 ... 85 °C (-40 ... 185 °F)

Relative humidity max. 95 %

Altitude 0 ... 3048 m

## Mechanical specifications

Connection Power Supply: screw terminals  
Fieldbus: 1 x RJ45  
Inputs/outputs: 9-pin screw terminal block

Material

Housing Polyamide, UL94V-0

Mass 113.4g

Construction type Cabinet module

Mounting DIN mounting rail

## Accessories

## V45-G-C5-GN1M-PUR-E1S

Ethernet bus cable male cordset single-ended RJ45 PROFINET-coded, 4-pin, PUR cable green, Cat5e, shielded

## V45-G-C5-GN3M-PUR-E1S

Ethernet bus cable male cordset single-ended RJ45 PROFINET-coded, 4-pin, PUR cable green, Cat5e, shielded

## V45-G-C5-GN10M-PUR-E1S

Ethernet bus cable male cordset single-ended RJ45 PROFINET-coded, 4-pin, PUR cable green, Cat5e, shielded

## V45-G-C5-GN1M-PUR-E1S-V45-G

Ethernet bus cable RJ45 to RJ45 PROFINET-coded, 4-pin, PUR cable green, Cat5e, shielded

## V45-G-C5-GN3M-PUR-E1S-V45-G

Ethernet bus cable RJ45 to RJ45 PROFINET-coded, 4-pin, PUR cable green, Cat5e, shielded

## V45-G-C5-GN10M-PUR-E1S-V45-G

Ethernet bus cable RJ45 to RJ45 PROFINET-coded, 4-pin, PUR cable green, Cat5e, shielded

## V45-G-C5-GN20M-PUR-E1S-V45-G

Ethernet bus cable RJ45 to RJ45 PROFINET-coded, 4-pin, PUR cable green, Cat5e, shielded