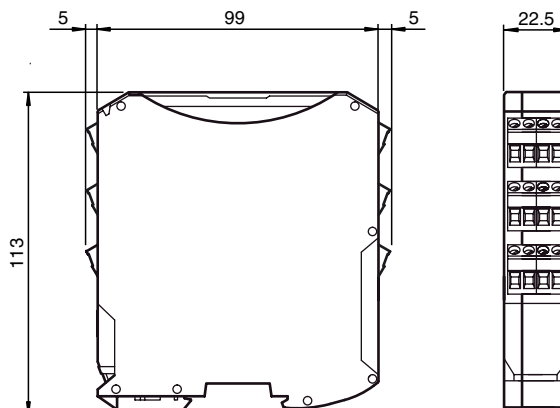
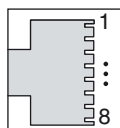




Dimensions



Electrical connection



Out A/B

- 1 = U_{B A/B}
- 2 = 0 V_{A/B}
- 3 = B (ABS)
- 4 = A
- 5 = \bar{A}
- 6 = \bar{B} (ABS)
- 7 = B (INC)
- 8 = \bar{B} (INC)

Out C/D

- 1 = U_{B C/D}
- 2 = 0 V_{C/D}
- 3 = D (ABS)
- 4 = C
- 5 = \bar{C}
- 6 = \bar{D} (ABS)
- 7 = D (INC)
- 8 = \bar{D} (INC)

Model number

VAZ-2T-KE4-ENC-2V45

KE4 switch cabinet module for rotary encoder
Adapter for 2 rotary encoder to rotation speed monitor and control panel

Features

- SSI, Sin/Cos, TTL interface

Function

Using the VAZ-2T-KE4-ENC-2V45 adapter module, rotary encoders and rotation speed monitors can be incorporated into the control loop feedback, without influencing the actual control system. The adapter module for connecting two rotary encoders to a rotation speed monitor and a control panel provides a separate supply for the encoders.

Accessories

VBP-HH1-V3.0-KIT
AS-Interface Handheld with accessory

VAZ-PK-1,5M-V1-G
Adapter cable module/hand-held programming device

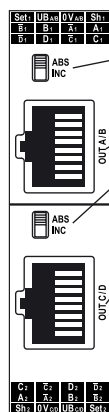
VAZ-SW-SUITE
Combined software for configuration, diagnostics, and programming, for masters and safety monitors (type KE4, K20, K30, K31)

Matching system components

RVS58S-***Z**

RVS58S-282YR4ZN-01024
safety incremental encoder

Indicating / Operating means



Switch for absolute values/incremental values
Connection of rotation speed monitor signal A + B
Connection of rotation speed monitor signal C + D

Sh1, Sh2	Shielding
U _{B A/B} , 0 V _{A/B}	Rotary encoder supply A/B
U _{B C/D} , 0 V _{C/D}	Rotary encoder supply C/D
Set1, Set2	Set signal (internally bridged)

Rotary encoder:	sin/cos	SSI
A1, \bar{A} 1, A2, \bar{A} 2	cosinus	DATA
B1, \bar{B} 1, B2, \bar{B} 2	sinus	CLK
C1, \bar{C} 1, C2, \bar{C} 2	cosinus	DATA
D1, \bar{D} 1, D2, \bar{D} 2	sinus	CLK
Out A/B	Rotation speed monitor signal A + B	
Out C/D	Rotation speed monitor signal C + D	

Technical data

Electrical specifications

Release date: 2019-08-23 12:41 Date of issue: 2019-08-23 292480_eng.xml

Rated operating voltage	U_e	max. 40 V
Interface 1		
Interface type	Rotary encoder and control panel	
Physical	6 x 4-contact COMBICON plug	
Interface 2		
Interface type	Rotation Speed Monitor	
Physical	2 x RJ-45	
Input		
Number/Type	Two inputs for rotary encoders HTL, SinCos, TTL, SSI, BiSS	
Supply	Separate for each rotary encoder	
Ambient conditions		
Ambient temperature	0 ... 55 °C (32 ... 131 °F)	
Storage temperature	-25 ... 85 °C (-13 ... 185 °F)	
Altitude	0 ... 2000 m	
Mechanical specifications		
Degree of protection	IP20	
Connection	removable terminals rated connection capacity: rigid/flexible (with and without wire-end ferrules): 0.25 mm ² ... 2.5 mm ² for multiple-wire connection with two wires of equal cross-section: flexible with twin wire-end ferrules: 0.5 mm ² ... 1.5 mm ²	
Material		
Housing	PA 66-FR	
Mounting	DIN mounting rail	