



### Model Number

NBB1,5-F79-E1-5M

### Features

- 1.5 mm flush
- 3-wire DC

## Technical Data

### General specifications

Switching element function		NPN	NC
Rated operating distance	$s_n$	1.5 mm	
Installation		flush	
Output polarity		DC	
Assured operating distance	$s_a$	0 ... 1.215 mm	
Reduction factor $r_{Al}$		0.3	
Reduction factor $r_{Cu}$		0.2	
Reduction factor $r_{304}$		0.7	

### Nominal ratings

Operating voltage	$U_B$	5 ... 30 V DC
Switching frequency	$f$	0 ... 1200 Hz
Hysteresis	$H$	typ. 5 %
Short-circuit protection		pulsing
Voltage drop	$U_d$	$\leq 1.5$ V
Operating current	$I_L$	0 ... 100 mA
Off-state current	$I_r$	$\leq 10$ $\mu$ A
No-load supply current	$I_0$	$\leq 15$ mA
Time delay before availability	$t_v$	$\leq 20$ ms

### Ambient conditions

Ambient temperature	-25 ... 70 °C (-13 ... 158 °F)
---------------------	--------------------------------

### Mechanical specifications

Connection type	cablc PVC , 5 m
Core cross-section	3 x 0.09 mm <sup>2</sup>
Housing material	PA
Sensing face	PA
Degree of protection	IP67

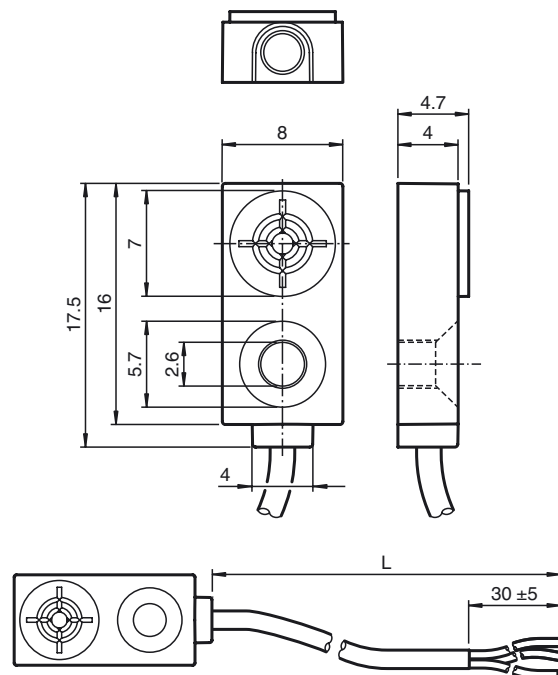
### Compliance with standards and directives

Standard conformity	
Standards	EN 60947-5-2:2007 IEC 60947-5-2:2007

### Approvals and certificates

CCC approval	CCC approval / marking not required for products rated $\leq 36$ V
--------------	--

## Dimensions



## Electrical Connection

