



Model Number

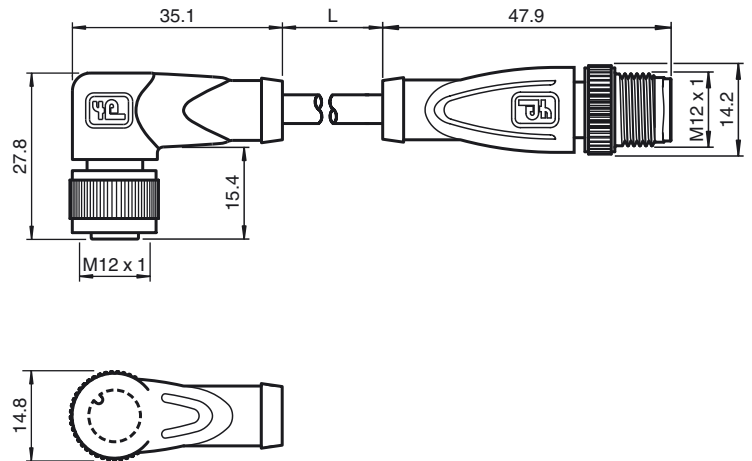
V1-W-OR1M-PUR-A-V1-G

Cordset, M12 to M12, PUR cable, 4-pin, welding-bead resistant

Features

- Immunity to vibration, with mechanical latching
- Knurled nut suitable for tool assembly
- Halogen-free
- Suitable for drag chains
- Flame resistant cable
- Suitable for robotic applications / torsion resistant
- Gold plated contacts
- Improved resistance to weld slag

Dimensions



Technical data

General specifications

Number of pins	4
Connection 1	socket
Construction type 1	right angle
Threading 1	M12
Connection 2	Male connector
Construction type 2	straight
Threading 2	M12

Electrical specifications

Operating voltage	U_B	max. 250 V AC/DC
Operating current	I_B	max. 4 A

Ambient conditions

Ambient temperature	Body: -40 ... 90 °C (-40 ... 194 °F) cable, fixed: -40 ... 80 °C (-40 ... 176 °F) cable, flexing: -25 ... 80 °C (-13 ... 176 °F)
Pollution degree	3

Mechanical specifications

Contact elements	spring-loaded contact socket
Pin diameter	1 mm
Degree of protection	IP67
Cable code	LiF9Y11Y 4 x 0.34 mm ²
Material	
Contacts	CuSn / Au
Contact surface	Au
Body	TPU, black
Cable	PUR resistant to weld spatter
Slotted nut	Diecast zinc
Sleeve connector	Diecast zinc
Core insulation	PP
Cable	extra-fine wire, flexible
Sheath diameter	Ø 4.3 mm
Bending radius	> 10 x cable diameter, moving > 5 x cable diameter, single bend
Color	orange
Number of cores	4
Core cross-section	0.34 mm ²
Conductor construction	42 x 0.1 mm Ø
Length	L 1 m
Drag chain suitability	
Drag chain cycles	≥ 5000000
Motion velocity	≤ 3.3 m/s
Traverse distance	5 m
Acceleration	≤ 5 m/s ²
Torsion cycles	≥ 1000000

Electrical connection



Release date: 2017-12-05 13:18 Date of issue: 2018-01-03 240776-100005_eng.xml

Refer to "General Notes Relating to Pepperl+Fuchs Product Information".

Torsional stress	±180 °/m
Flammability	
Contact carrier	94 HB
Housing	94 V-2
Cable	FT2
Compliance with standards and directives	
Standard conformity	
Degree of protection	EN 60529:2000
Standards	IEC 61076-2-101:2008
Flammability	Body: UL 94 Line: UL 1581 Section 1061; IEC 60332-1-2:2004
Halogen-free	IEC 60754-1:1994
Approvals and certificates	
UL approval	cURus AWM 20549 AWM I/II A/B 80°C 300V FT2

Release date: 2017-12-05 13:18 Date of issue: 2018-01-03 240776-100005_eng.xml