



### Model Number

**NJ15-30GM50-A2-5M**

Inductive sensor

### Features

- **Stainless steel housing**
- **15 mm non-flush**

### Accessories

**BF 30**

Mounting flange, 30 mm

## Technical Data

### General specifications

Switching element function		PNP	NO/NC
Rated operating distance	$s_n$	15 mm	
Installation		non-flush	
Output polarity		DC	
Assured operating distance	$s_a$	0 ... 12.15 mm	
Reduction factor $r_{Al}$		0.45	
Reduction factor $r_{Cu}$		0.4	
Reduction factor $r_{304}$		0.8	

### Nominal ratings

Operating voltage	$U_B$	10 ... 60 V
Switching frequency	$f$	0 ... 300 Hz
Hysteresis	$H$	typ. 5 %
Reverse polarity protection		reverse polarity protected
Short-circuit protection		pulsing
Voltage drop	$U_d$	$\leq 3$ V
Operating current	$I_L$	0 ... 400 mA
No-load supply current	$I_0$	$\leq 15$ mA
Switching state indicator		LED, yellow

### Functional safety related parameters

MTTF <sub>d</sub>	1190 a
Mission Time (T <sub>M</sub> )	20 a
Diagnostic Coverage (DC)	0 %

### Ambient conditions

Ambient temperature	-25 ... 70 °C (-13 ... 158 °F)
---------------------	--------------------------------

### Mechanical specifications

Connection type	cable PVC , 5 m
Core cross-section	0.75 mm <sup>2</sup>
Housing material	Stainless steel 1.4305 / AISI 303
Sensing face	PBT
Protection degree	IP67

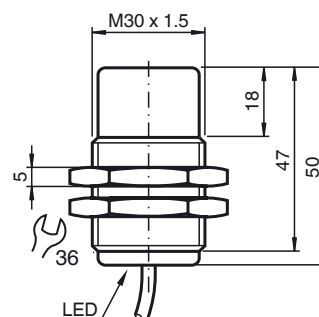
### Compliance with standards and directives

Standard conformity	
Standards	EN 60947-5-2:2007 IEC 60947-5-2:2007

### Approvals and certificates

UL approval	cULus Listed, General Purpose
CSA approval	cCSAus Listed, General Purpose
CCC approval	Certified by China Compulsory Certification (CCC)

## Dimensions



## Electrical Connection

