



## Read/write head

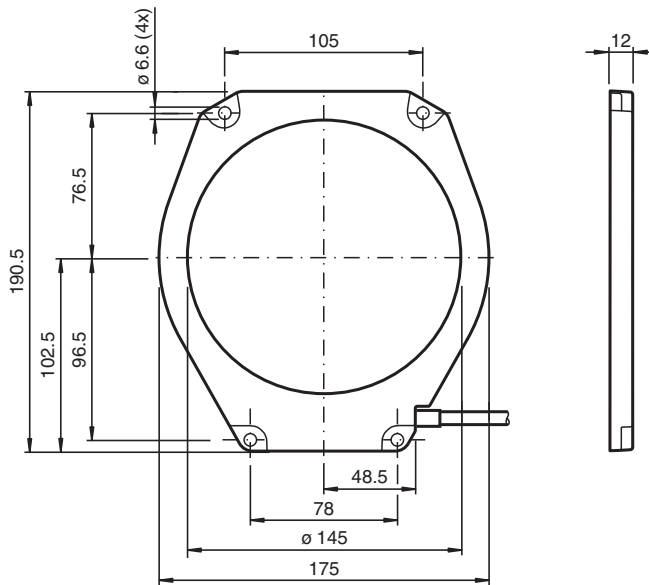
### IQH1-F198-V1

- Operating frequency 13.56 MHz
- Conforms to ISO 15693
- Suitable for FRAM transponder
- Particularly flat construction
- Connection cable with V1 plug (M12 x 1)
- Degree of protection IP67
- For connection to IDENTControl control interface

HF read/write head, ISO 15693, for IDENTControl



## Dimensions



## Technical Data

### General specifications

Operating frequency	13.56 MHz
Transfer rate	26 kBit/s
Sensing range	
Read distance	0 ... 150 mm
Write distance	0 ... 150 mm
Width	max. 145 mm
UL File Number	E87056

### Functional safety related parameters

Release date: 2020-03-24 Date of issue: 2020-03-27 Filename: 287530\_eng.pdf

Refer to "General Notes Relating to Pepperl+Fuchs Product Information".

Pepperl+Fuchs Group  
www.pepperl-fuchs.com

USA: +1 330 486 0001  
fa-info@us.pepperl-fuchs.com

Germany: +49 621 776 1111  
fa-info@de.pepperl-fuchs.com

Singapore: +65 6779 9091  
fa-info@sg.pepperl-fuchs.com

PEPPERL+FUCHS

## Technical Data

MTTF <sub>d</sub>		730 a
Mission Time (T <sub>M</sub> )		10 a
Diagnostic Coverage (DC)		0 %
<b>Indicators/operating means</b>		
LED green/yellow		green: power on green flashing: read/write attempt performed yellow: data carrier detected
<b>Electrical specifications</b>		
Power consumption	P <sub>0</sub>	≤ 1.3 W
Supply		from the IDENTControl
<b>Directive conformity</b>		
Radio equipment		
Directive 2014/53/EU		EN 301489-1 EN 301489-3 EN 300330 EN 62368-1 EN 50364
RoHS		
Directive 2011/65/EU (RoHS)		EN 50581
<b>Standard conformity</b>		
Degree of protection		EN 60529
RFID		ISO/IEC 15693-2 ISO/IEC 15693-3 ISO/IEC 18000-3
<b>Approvals and certificates</b>		
FCC approval		This device complies with part 15 of the FCC rules. Operation is subject to the following two conditions: (1) This device may not cause harmful interference, and (2) This device must accept any interference received, including interference that may cause undesired operation. <b>Caution:</b> Changes or modifications not expressly approved by the party responsible for compliance could void the user's authority to operate the equipment.
IC approval		This device complies with Industry Canada licence-exempt RSS standard(s) and with part 15 of the FCC Rules. Operation is subject to the following two conditions: (1) this device may not cause interference, and (2) this device must accept any interference, including interference that may cause undesired operation of the device. Le présent appareil est conforme aux CNR d'Industrie Canada applicables aux appareils radio exempts de licence. L'exploitation est autorisée aux deux conditions suivantes : (1) l'appareil ne doit pas produire de brouillage, et (2) l'utilisateur de l'appareil doit accepter tout brouillage radioélectrique subi, même si le brouillage est susceptible d'en compromettre le fonctionnement.
Radio approval		USA: FCC IREIQH1F198V1 Canada: IC 7037A-IQH1F198V1
<b>Ambient conditions</b>		
Ambient temperature		-25 ... 70 °C (-13 ... 158 °F)
Storage temperature		-40 ... 85 °C (-40 ... 185 °F)
<b>Mechanical specifications</b>		
Degree of protection		IP67
Connection		connector M12 x 1
<b>Material</b>		
Housing		PA 6.6
Encapsulation compound		WEVO 403FL/300
<b>Installation</b>		
Distance between two heads		Multiplex on: ≥ 100 mm Multiplex off: ≥ 150 mm
Mass		approx. 200 g
Cable length		20 cm

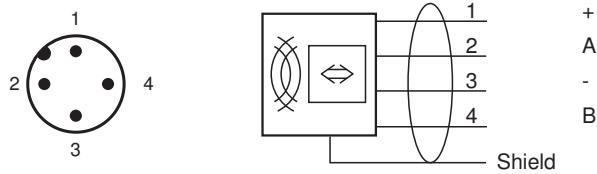
Release date: 2020-03-24 Date of issue: 2020-03-27 Filename: 287530\_eng.pdf

Refer to "General Notes Relating to Pepperl+Fuchs Product Information".

Pepperl+Fuchs Group  
www.pepperl-fuchs.comUSA: +1 330 486 0001  
fa-info@us.pepperl-fuchs.comGermany: +49 621 776 1111  
fa-info@de.pepperl-fuchs.comSingapore: +65 6779 9091  
fa-info@sg.pepperl-fuchs.com

**PEPPERL+FUCHS**

**Connection**






**Accessories**

	<b>IC-KP-B6-V15B</b>	187.5 kBit/s
	<b>IC-KP-B6-V15B</b>	Control interface unit IDENTControlwith PROFIBUS DP interface
	<b>IC-KP-B17-AIDA1</b>	IDENTControl control interfaceWith Ethernet interface for TCP/IP, PROFINET, EtherNet/IP, and MODBUS TCP protocols
	<b>IC-KP2-2HRX-2V1</b>	Control interface unit IDENTControl Compactwith serial interface RS-232 and RS-485
	<b>IC-KP2-2HRX-2V1</b>	DP 1
	<b>IC-KP2-2HB6-V15B</b>	Protocol
	<b>IC-KP2-2HB6-V15B</b>	Control interface unit IDENTControl Compactwith PROFIBUS DP interface
	<b>IC-KP2-2HB17-2V1D</b>	IDENTControl Compact control interfaceWith Ethernet interface for TCP/IP, PROFINET, EtherNet/IP, and MODBUS TCP protocols
	<b>IC-KP2-2HB17-2V1D</b>	1 MBit/s
	<b>IC-KP2-2HB21-2V1D</b>	Control interface unit IDENTControl Compactwith EtherCAT interface
	<b>IQC21-30 25pcs</b>	Data carrier
	<b>IQC21-50F-T10</b>	Data carrier
	<b>IQC21-58</b>	Data carrier
	<b>IQC22-22-T9 50pcs</b>	Data carrier
	<b>IQC33-20 50pcs</b>	Data carrier
	<b>IQC33-30 25pcs</b>	Data carrier
	<b>IQC33-50 25pcs</b>	Data carrier

Release date: 2020-03-24 Date of issue: 2020-03-27 Filename: 287530\_eng.pdf

Refer to "General Notes Relating to Pepperl+Fuchs Product Information".

**Accessories**

	<p><b>V1-G-2M-PUR-ABG-V1-W</b> Connecting cable, M12 to M12, PUR cable 4-pin, shielded</p>
	<p><b>V1-G-5M-PUR-ABG-V1-W</b> Connecting cable, M12 to M12, PUR cable 4-pin, shielded</p>
	<p><b>V1-G-10M-PUR-ABG-V1-W</b> Connecting cable, M12 to M12, PUR cable 4-pin, shielded</p>

Release date: 2020-03-24 Date of issue: 2020-03-27 Filename: 287530\_eng.pdf

Refer to "General Notes Relating to Pepperl+Fuchs Product Information".

Pepperl+Fuchs Group  
www.pepperl-fuchs.com

USA: +1 330 486 0001  
fa-info@us.pepperl-fuchs.com

Germany: +49 621 776 1111  
fa-info@de.pepperl-fuchs.com

Singapore: +65 6779 9091  
fa-info@sg.pepperl-fuchs.com

## Safety Information

This equipment has been tested and found to comply with the limits for a Class A digital device, pursuant to part 15 of the FCC Rules. These limits are designed to provide reasonable protection against harmful interference when the equipment is operated in a commercial environment. This equipment generates, uses, and can radiate radio frequency energy and, if not installed and used in accordance with the instruction manual, may cause harmful interference to radio communications. Operation of this equipment in a residential area is likely to cause harmful interference in which case the user will be required to correct the interference at his own expense.

Release date: 2020-03-24 Date of issue: 2020-03-27 Filename: 287530\_eng.pdf

Refer to "General Notes Relating to Pepperl+Fuchs Product Information".

Pepperl+Fuchs Group  
www.pepperl-fuchs.com

USA: +1 330 486 0001  
fa-info@us.pepperl-fuchs.com

Germany: +49 621 776 1111  
fa-info@de.pepperl-fuchs.com

Singapore: +65 6779 9091  
fa-info@sg.pepperl-fuchs.com

 **PEPPERL+FUCHS**