



Model number

ICDM-RX/TCP-ST/RJ45-DIN

Serial Device Server 1-port DIN Rail Screw Terminal

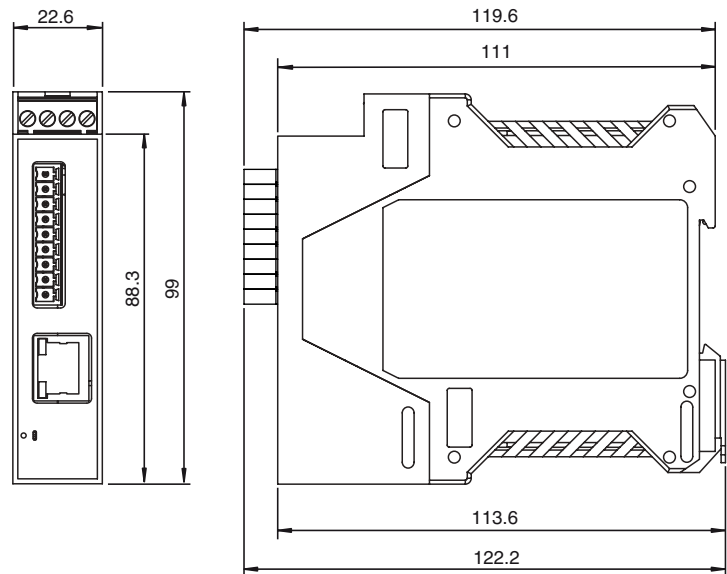
Features

- Web-based configuration
- DIN-rail mounting and screw terminal connections
- RS-232/422/485 software selectable interfaces
- NEMA TS2 Certified
- TCP/IP & UDP Socket Services
- Device drivers (Windows and Linux)

Function

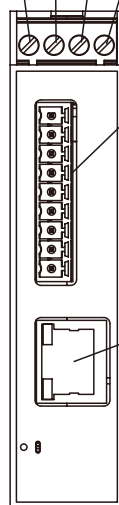
The ICDM-RX/TCP product family enables the connection of serial devices (RS-232 / RS-422 / RS-485) using a device driver (Windows or Linux) or Ethernet TCP/IP devices using socket services to an industrial Ethernet network. The integrated webserver enables complete configuration of all module parameters like serial interface, baud rate, parity, data bits, stop bits, or flow control. Products are available in different versions for DB9 or screw terminal connection.

Dimensions



Electrical connection

Voltage
+ - + GND



Terminal Block

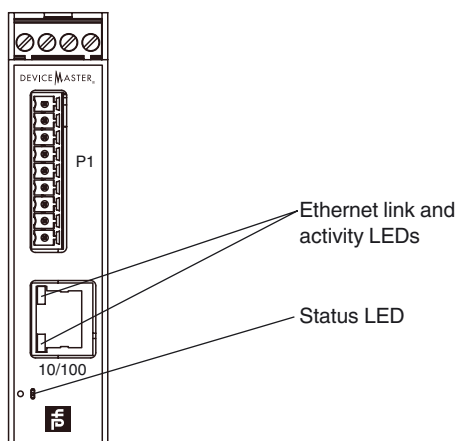
RS-232	RS-485 Full Duplex	RS-232 Half Duplex
1 = CD	1 = n.c.	1 = n.c.
2 = DSR	2 = n.c.	2 = n.c.
3 = RI	3 = n.c.	3 = n.c.
4 = DTR	4 = n.c.	4 = n.c.
5 = TxD	5 = TxD-	5 = TRxD-
6 = RTS	6 = TxD+	6 = TRxD+
7 = RxD	7 = RxD-	7 = n.c.
8 = CTS	8 = RxD+	8 = n.c.
9 = GND	9 = GND	9 = GND

Ethernet

1 = Tx+	5 = n.c.
2 = Tx-	6 = Rx-
3 = Rx+	7 = n.c.
4 = n.c.	8 = n.c.

Release date: 2019-12-16 16:20 Date of issue: 2019-12-16 70104868_eng.xml

Indicating / Operating means



Technical data

General specifications

UL File Number E360395

Indicators/operating means

LED indication see manual

Electrical specifications

Rated operating voltage U_e 5 ... 30 V DC

Nominal voltage 24 V DC

Interface

Interface type Software selectable interfaces: RS-232, RS-422, RS-485 (2 and 4-wire)

Physical 1 x screw terminal

Protocol Raw serial

Supported baud rates 300 bps to 230Kbps

Interface 1

Interface type Industrial Ethernet

Physical 1 x RJ45

Protocol TCP/IP

Additional protocols ARP, BOOTP, DHCP/RARP, HTTP, HTTPS, SSH, SSL/TLS, ICMP, RFC 1006 (ISO over TCP), SNMP (MIB-II), TCP/IP & UDP socket services, Telnet, and TFTP, and supports IP multicast data transmission

Transfer rate 10/100 Mbps

Directive conformity

Electromagnetic compatibility

Directive 2014/30/EU EN 61000-6-2, EN 55024, EN 61000-6-4, EN 55032

Standard conformity

Degree of protection NEMA TS2

Electrical safety CSA C22.2 No. 61010-1-12 / CSA C22.2 No. 61010-1-201
UL 61010-1 / UL 61010-1-201

Emitted interference EN 61000-6-4, EN 55032, FCC Part 15 Subpart B, ICES-003, AS/NZS CISPR 32

Noise immunity EN 61000-6-2, EN 55024

Ambient conditions

Ambient temperature -40 ... 75 °C (-40 ... 167 °F)

Storage temperature -40 ... 85 °C (-40 ... 185 °F)

Relative humidity max. 95 %

Altitude 0 ... 3048 m

Mechanical specifications

Connection Power Supply: screw terminals
Fieldbus: 1 x RJ45
Inputs/outputs: 9-pin screw terminal block

Material

Housing Polyamide, UL94V-0

Mass 113.4g

Construction type Cabinet module

Mounting DIN mounting rail

Accessories

V45-G-C5-GN1M-PUR-E1S

Ethernet bus cable male cordset single-ended RJ45 PROFINET-coded, 4-pin, PUR cable green, Cat5e, shielded

V45-G-C5-GN3M-PUR-E1S

Ethernet bus cable male cordset single-ended RJ45 PROFINET-coded, 4-pin, PUR cable green, Cat5e, shielded

V45-G-C5-GN10M-PUR-E1S

Ethernet bus cable male cordset single-ended RJ45 PROFINET-coded, 4-pin, PUR cable green, Cat5e, shielded

V45-G-C5-GN1M-PUR-E1S-V45-G

Ethernet bus cable RJ45 to RJ45 PROFINET-coded, 4-pin, PUR cable green, Cat5e, shielded

V45-G-C5-GN3M-PUR-E1S-V45-G

Ethernet bus cable RJ45 to RJ45 PROFINET-coded, 4-pin, PUR cable green, Cat5e, shielded

V45-G-C5-GN10M-PUR-E1S-V45-G

Ethernet bus cable RJ45 to RJ45 PROFINET-coded, 4-pin, PUR cable green, Cat5e, shielded

V45-G-C5-GN20M-PUR-E1S-V45-G

Ethernet bus cable RJ45 to RJ45 PROFINET-coded, 4-pin, PUR cable green, Cat5e, shielded