



Model number

ICRL-U-5RJ45-DIN

Ethernet unmanaged switch with 5 RJ45 ports, port alarm and extended temperature range

Features

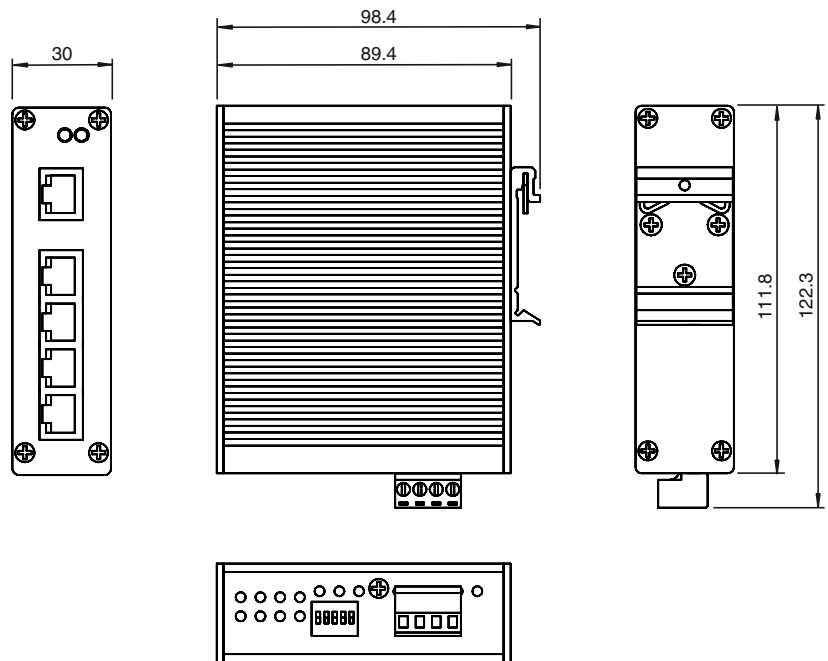
- Rugged housing for use in harsh environments
- Alarm relay output for port event notifications
- Five - 10/100BASE-TX ports
- DC power input
- Extended temperature range
- C1D2 certification

Function

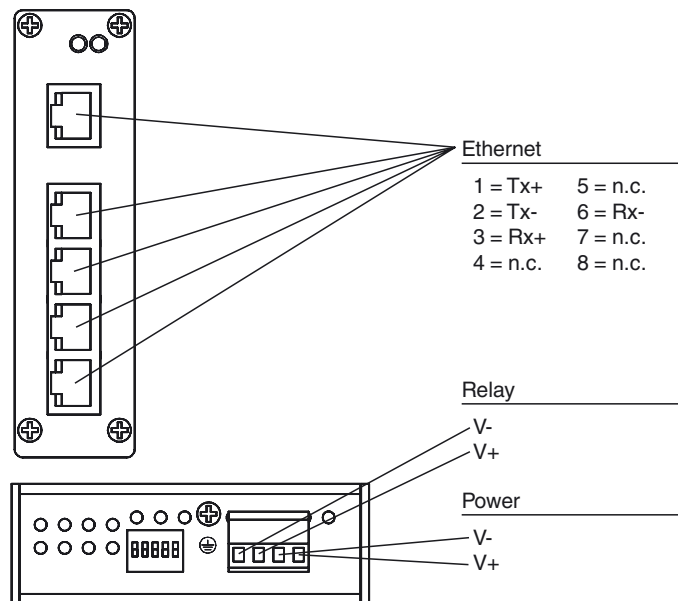
The ICRL-U-5RJ45-DIN industrial Ethernet switch is used to build high performance Ethernet networks. The switch is designed for applications that require C1D2 certification, extended operating temperatures, rugged housings, high-performance communications, and reliable data transfer.

This unmanaged switch provides a cost-effective solution for low-level field device connections without the need for complex configuration.

Dimensions



Electrical connection



Release date: 2020-01-10 17:59 Date of issue: 2020-01-10 70104880_eng.xml

Refer to "General Notes Relating to Pepperl+Fuchs Product Information".

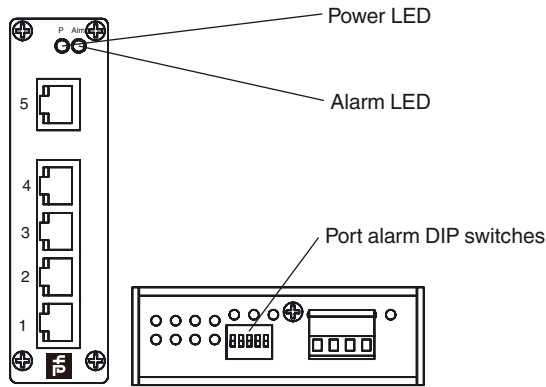
Pepperl+Fuchs Group
www.pepperl-fuchs.com

USA: +1 330 486 0001
fa-info@us.pepperl-fuchs.com

Germany: +49 621 776 4411
fa-info@de.pepperl-fuchs.com

Singapore: +65 6779 9091
fa-info@sg.pepperl-fuchs.com

Indicating / Operating means



Technical data

General specifications

UL File Number E185802

Ethernet Interface

Auto-MDI(-X) yes
 Autonegotiation yes
 Standards
 IEEE 802.3 10BASE-T yes
 IEEE 802.3u 100BASE-TX yes
 IEEE 802.3x Flow Control and Back-pressure yes

Indicators/operating means

LED indication see manual

Electrical specifications

Rated operating voltage U_e 18 ... 32 V DC
 Power consumption 3 W
 General information Port Failure, DIP switch enabled, Relay Rating, 1A Max. @ 24VDC
 Nominal voltage 24 V DC
 Current consumption typ. 130 mA

Interface 1

Interface type Industrial Ethernet
 Physical RJ45
 Transfer rate 10/100 Mbps

Inputs/Outputs

Number/Type 5 x RJ45

Directive conformity

Electromagnetic compatibility
 Directive 2014/30/EU EN61000-6-2, EN55024

Standard conformity

Electrical safety UL 508 Class I Div 2, IEC 60950/EN60950 (LISTED), CSA C22.2 No. 60950/UL60950
 Emitted interference EN 55055
 Noise immunity EN 55024

Ambient conditions

Ambient temperature -40 ... 75 °C (-40 ... 167 °F)
 Storage temperature -40 ... 85 °C (-40 ... 185 °F)
 Relative humidity max. 95 %
 Altitude 0 ... 3048 m

Mechanical specifications

Degree of protection IP31
 Connection Power Supply Terminal Block
 Fieldbus 5 x RJ45
 Material
 Housing aluminium, black
 Mass 295 g
 Construction type Cabinet module
 Mounting DIN rail or direct panel mounting

Accessories

V45-G-C5-GN1M-PUR-E1S

Ethernet bus cable male cordset single-ended RJ45 PROFINET-coded, 4-pin, PUR cable green, Cat5e, shielded

V45-G-C5-GN3M-PUR-E1S

Ethernet bus cable male cordset single-ended RJ45 PROFINET-coded, 4-pin, PUR cable green, Cat5e, shielded

V45-G-C5-GN10M-PUR-E1S

Ethernet bus cable male cordset single-ended RJ45 PROFINET-coded, 4-pin, PUR cable green, Cat5e, shielded

V45-G-C5-GN1M-PUR-E1S-V45-G

Ethernet bus cable RJ45 to RJ45 PROFINET-coded, 4-pin, PUR cable green, Cat5e, shielded

V45-G-C5-GN3M-PUR-E1S-V45-G

Ethernet bus cable RJ45 to RJ45 PROFINET-coded, 4-pin, PUR cable green, Cat5e, shielded

V45-G-C5-GN10M-PUR-E1S-V45-G

Ethernet bus cable RJ45 to RJ45 PROFINET-coded, 4-pin, PUR cable green, Cat5e, shielded

V45-G-C5-GN20M-PUR-E1S-V45-G

Ethernet bus cable RJ45 to RJ45 PROFINET-coded, 4-pin, PUR cable green, Cat5e, shielded