



### Model Number

**NMB15-30GM65-Z4-V1**

### Features

- 15 mm flush
- Stainless steel sensing face
- Increased operating distance

### Accessories

#### AB-30

Mounting aid

#### V1-G-2M-PUR

Female cordset, M12, 4-pin, PUR cable

#### V1-W-2M-PUR

Female cordset, M12, 4-pin, PUR cable

## Technical Data

### General specifications

Switching function		Normally open (NO)
Output type		Two-wire
Rated operating distance	$s_n$	15 mm
Installation		flush (Requirements: see drawing below)
Output polarity		DC
Assured operating distance	$s_a$	0 ... 12.15 mm
Actuating element		Ferrous and nonferrous targets
Reduction factor $r_{Al}$		0.4
Reduction factor $r_{Cu}$		0.2
Reduction factor $r_{304}$		0.85
Reduction factor $r_{St37}$		1
Output type		2-wire

### Nominal ratings

Operating voltage	$U_B$	6 ... 30 V
Switching frequency	$f$	150 Hz
Hysteresis	$H$	5 ... 15 typ. 10 %
Reverse polarity protection		reverse polarity-conductive
Short-circuit protection		yes
Voltage drop	$U_d$	< 3 V DC
Operating current	$I_L$	2 ... 100 mA
Off-state current	$I_r$	< 400 $\mu$ A

### Functional safety related parameters

MTTF <sub>d</sub>	970 a
Mission Time ( $T_M$ )	20 a
Diagnostic Coverage (DC)	0 %

### Indicators/operating means

Operation indicator	4-way LED	Yellow: output
---------------------	-----------	----------------

### Ambient conditions

Ambient temperature	0 ... 70 °C (32 ... 158 °F)
---------------------	-----------------------------

### Mechanical specifications

Connection type	M12 connector, 4-pin
Housing material	Stainless steel 1.4305 / AISI 303
Sensing face	Stainless steel 1.4305 / AISI 303
Degree of protection	IP67

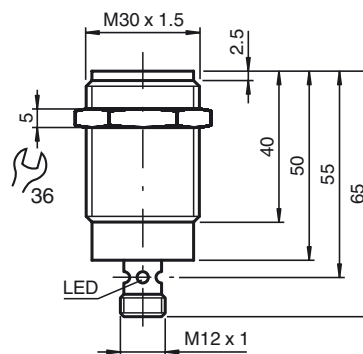
### Compliance with standards and directives

Standard conformity	EN 60947-5-2:2007
Standards	IEC 60947-5-2:2007

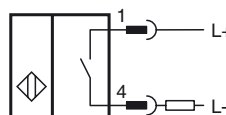
### Approvals and certificates

UL approval	cULus Listed, General Purpose
CSA approval	cCSAus Listed, General Purpose
CCC approval	CCC approval / marking not required for products rated $\leq$ 36 V

## Dimensions



## Electrical Connection

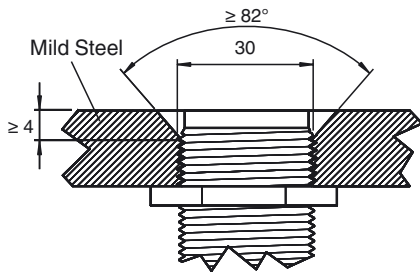


Pinout



Wire colors in accordance with EN 60947-5-2

1	BN	(brown)
2	WH	(white)
3	BU	(blue)
4	BK	(black)



Sensor face is flush with mounting surface.