



### Model Number

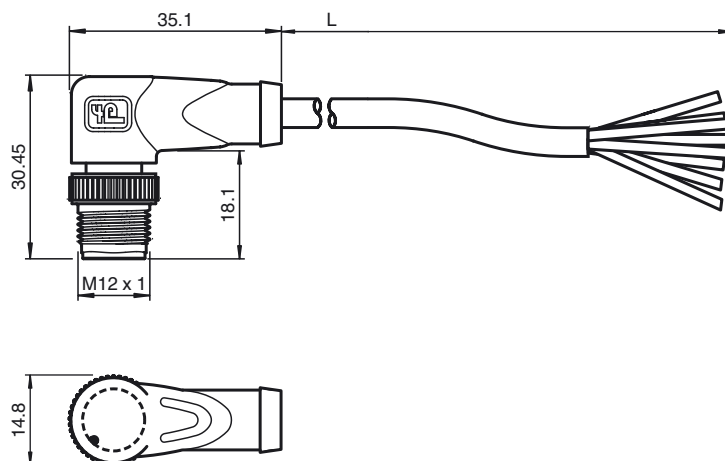
#### V19S-W-BK2M-PUR-U

Cable connector, M12, 8-pin, PUR cable

### Features

- UL Recognized Component
- Knurled nut suitable for tool assembly
- Immunity to vibration, with mechanical latching
- Gold plated contacts
- Flame resistant cable
- Halogen-free
- Resistant to microbes and hydrolysis
- Degree of protection IP67 / IP68 / IP69K

### Dimensions



### Technical data

#### General specifications

Number of pins	8
Connection 1	Male connector
Construction type 1	straight
Threading 1	M12
Connection 2	cable end
UL File Number	E231213

#### Electrical specifications

Operating voltage	$U_B$	max. 30 V AC/DC
Operating current	$I_B$	max. 2 A

#### Ambient conditions

Ambient temperature	Body: -40 ... 90 °C (-40 ... 194 °F) cable, flexing: -20 ... 80 °C (-4 ... 176 °F) cable, fixed: -40 ... 80 °C (-40 ... 176 °F)
Pollution degree	3

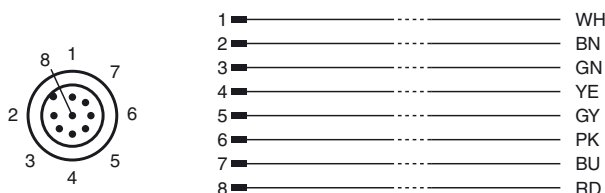
#### Mechanical specifications

Contact elements	spring-loaded contact socket
Pin diameter	1 mm
Degree of protection	IP67 / IP68 / IP69k
Material	
Contacts	CuSn / Au
Contact surface	Au
Body	TPU, black
Cable	PUR
Sleeve connector	Diecast zinc
Core insulation	PP
Cable	fine-strand, flexible
Sheath diameter	Ø 6 mm
Bending radius	> 10 x cable diameter, moving > 8 x cable diameter, fixed
Color	black
Number of cores	8
Core cross-section	0.25 mm <sup>2</sup>
Conductor construction	14 x 0.15 mm Ø
Length	L 2 m
Flammability	
Contact carrier	HB
Housing	V-2
Cable	FT2

#### Compliance with standards and directives

Standard conformity	
Flammability	Grip: UL 94 Cable: UL 1581 Section 1100; IEC 60332-1-2:2004

### Electrical connection



Halogen-free IEC 60754-1:1994

**Approvals and certificates**

UL approval UL Recognized General purpose

Maximum permissible operating voltage  $\leq 30$  V

Maximum permissible ambient temperature  $\leq 80$  °C ( $\leq 176$  °F)

Release date: 2018-06-28 16:21 Date of issue: 2018-06-28 240772-100020\_eng.xml