



Model Number

V1S-Y-V11/V11

Y-Splitter, M12 plug to 2 x M12 socket

Features

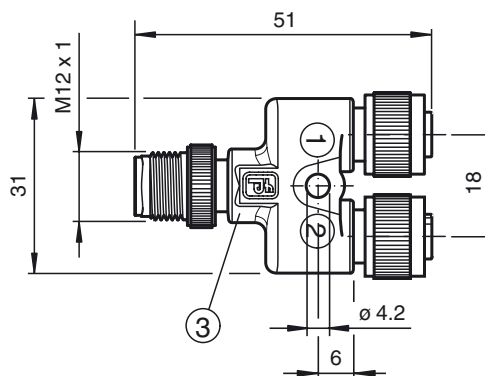
- Easy merging of two signals at a single M12 slot
- Suitable for normally open contacts or 1 signal from antivalent sensors
- Degree of protection IP67
- Free from substances that impair paint wetting
- Gold plated contacts
- Knurled nut suitable for tool assembly
- Immunity to vibration, with mechanical latching

Accessories

MH V1-SCREWDRIVER
torque screwdriver (0.6 Nm)

MH V1-BIT M12
plug-in cap M12

Dimensions



Technical data

General specifications

Number of pins	5
Coding	A
Connection 1	socket
Construction type 1	straight
Threading 1	M12
Connection 2	socket
Construction type 2	straight
Threading 2	M12
Connection 3	Male connector
Construction type 3	straight
Threading 3	M12
UL File Number	E231213

Electrical specifications

Operating voltage	U_B	48 V AC 60 V DC
Operating current	I_B	4 A
Volume resistance		< 5 mΩ

Ambient conditions

Ambient temperature	-40 ... 90 °C (-40 ... 194 °F)
Pollution degree	3

Mechanical specifications

Degree of protection	IP67
Connection	1 x M12 connector, straight 2 x M12 straight sockets
Material	
Contacts	CuSn / Au
Contact surface	Au
Body	TPU
Slotted nut	Zinc die-casting, nickel-plated
Flammability	
Housing	94 V-2

Compliance with standards and directives

Standard conformity	
Degree of protection	EN 60529
Flammability	Grip: UL 94 Cable: UL 758 / UL 1581

Approvals and certificates

UL approval	UL Recognized General purpose
Maximum permissible operating voltage	≤ 60 V
Maximum permissible ambient temperature	≤ 80 °C (≤ 176 °F)

Electrical connection

