



### Model number

**VAZ-FK-S-BK-2,5MM**

AS-Interface flat cable for external auxiliary voltage up to 24 V

### Features

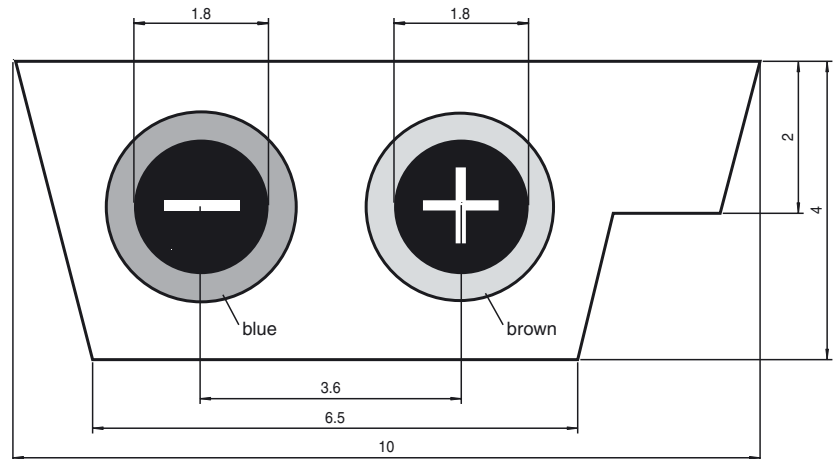
- Cable piercing technique
- Resistant to environmental influence
- Resistant to bending
- Reverse polarity protected due to the shape of the cable
- Halogen-free (PVC-free)
- Does not give off silicone
- Graduations in meters

### Accessories

**VAZ-FK-ED3**

AS-Interface end seal for flat cable

### Dimensions



### Technical data

#### Electrical specifications

Nominal voltage	300 V
Current loading capacity	According to DIN VDE 0298 Part 4, Table 6, Column 4

#### Ambient conditions

Conductor temperature	Operating mode: 90 °C (363 K) Short-circuit: 200 °C (473 K)
Ambient temperature	-40 ... 85 °C (-40 ... 185 °F) at standstill, -25 ... 85 °C (-13 ... 185 °F) in motion

#### Mechanical specifications

Core cross-section	Copper, extra-fine wire, class 6 in accordance with DIN VDE 0295 cross-section 2.5 mm <sup>2</sup>
Bending radius	min. permissible bend radii in accordance with DIN VDE 0298 Part 3, Table 2 Bending stress only permitted on the wide side of the cable
Tension loading	max. 50 N/mm <sup>2</sup> on laying acc. to DIN VDE 0298 Part 3
Material	EPDM Rubber compound EM3, based on DIN VDE 0207 Part 21
Core insulation	Rubber compound in accordance with DIN VDE 0207 Part 20
Cable	
Color	black (Similar to RAL 9005)
Cable length	100 m