



**Model Number**

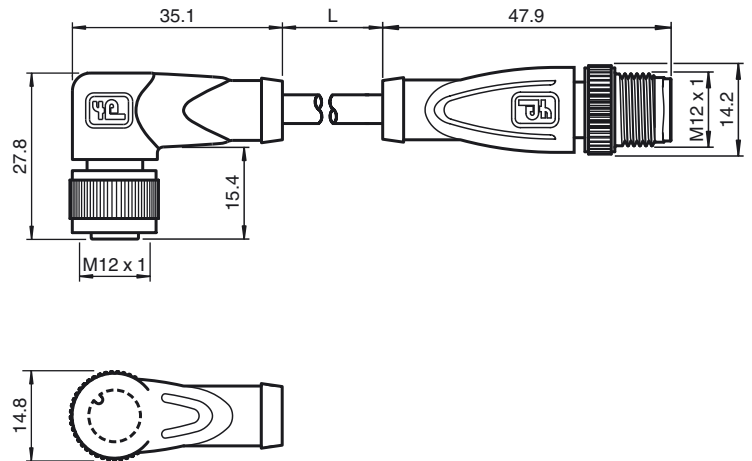
**V19-W-BK1M-PUR-U-V19-G**

Connection cable, M12 to M12, PUR cable 8-pin

**Features**

- UL Recognized Component
- Knurled nut suitable for tool assembly
- Immunity to vibration, with mechanical latching
- Gold plated contacts
- Flame resistant cable
- Resistant to microbes and hydrolysis
- Halogen-free
- Degree of protection IP67 / IP68 / IP69K

**Dimensions**



**Technical data**

**General specifications**

Number of pins	8
UL File Number	E231213

**Electrical specifications**

Operating voltage	$U_B$	max. 30 V AC/DC
Test voltage		> 1500 V <sub>eff</sub> AC
Operating current	$I_B$	max. 2 A

**Ambient conditions**

Ambient temperature	-40 ... 90 °C (-40 ... 194 °F) cable, flexing: -20 ... 80 °C (-4 ... 176 °F) cable, fixed: -40 ... 80 °C (-40 ... 176 °F)
---------------------	---

Pollution degree	3
------------------	---

**Mechanical specifications**

Contact elements	spring-loaded contact socket
Pin diameter	1 mm
Degree of protection	IP67 / IP68 / IP69k

**Material**

Contacts	CuSn / Au
Contact surface	Au
Body	TPU, black
Cable	PUR
Slotted nut	Diecast zinc
Core insulation	PP

Cable	fine-strand, flexible
Sheath diameter	Ø 6 mm
Bending radius	> 10 x cable diameter, moving > 8 x cable diameter, fixed

Color	black
Number of cores	8
Core cross-section	0.25 mm <sup>2</sup>
Conductor construction	14 x 0.15 mm Ø
Length	L 1 m

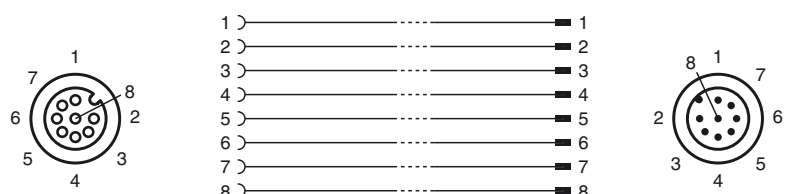
**Flammability**

Contact carrier	94 HB
Housing	94 V-2

**Approvals and certificates**

UL approval	cURus AWM 20549 AWM I/II A/B 80°C 300V FT2 (cable)
-------------	--

**Electrical connection**



Release date: 2017-09-13 14:08 Date of issue: 2017-09-13 456605\_eng.xml