



Model number

ICE1-8IOL-G60L-V1D

Ethernet IO-Link module with 8 inputs/outputs

Features

- Multiprotocol-compatible
- M12 power connector
- Sturdy metallic housing
- Web-based configuration

Function

The module is a multiprotocol fieldbus module with 4 type A and 4 type B IO-Link master ports according to IO-Link standard V1.1.

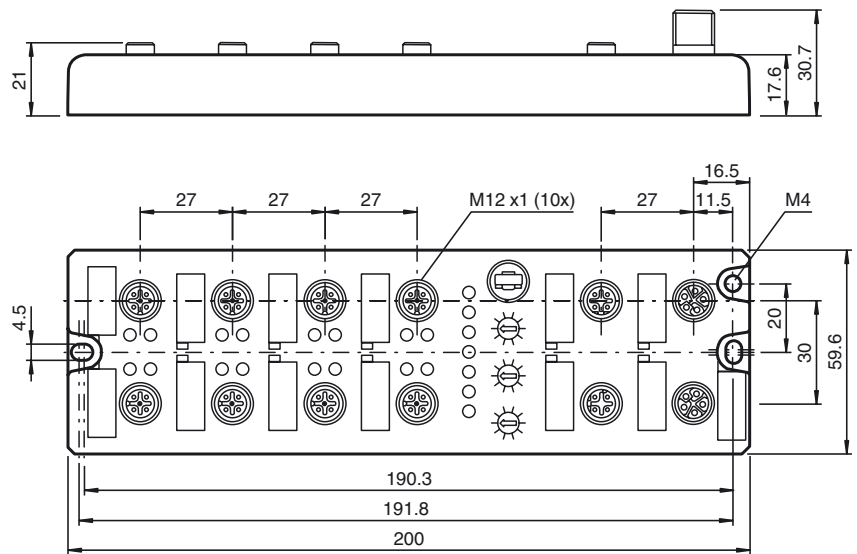
The design in fully cast metal housing is resistant to mechanical damage and due to its high degree of protection to environmental influences.

The fieldbus module serves as an interface between the controller of a fieldbus system and the field level. Thanks to its multiprotocol capability, the fieldbus module supports the Ethernet communication protocols PROFINET and EtherNet/IP.

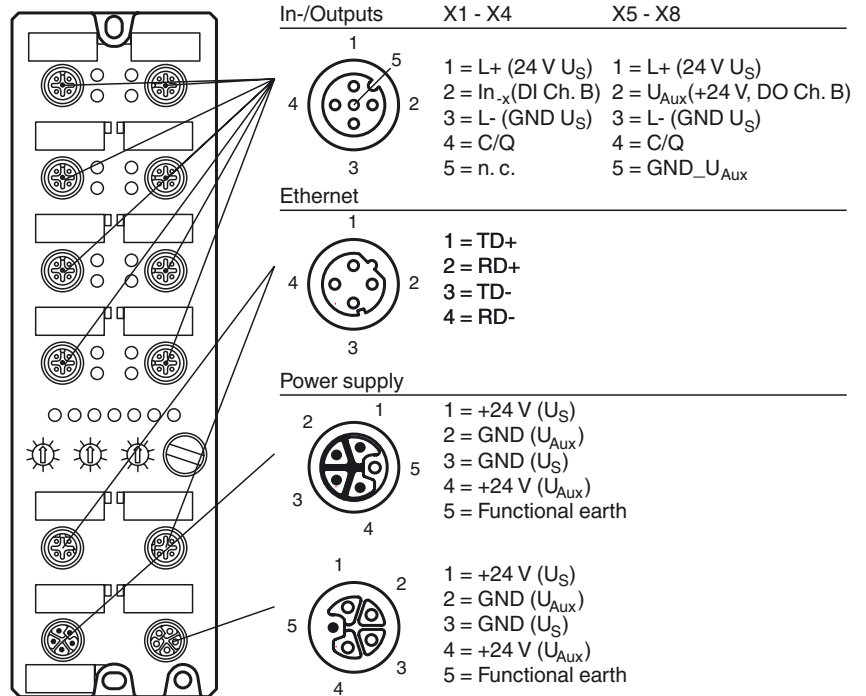
An L-coded M12 connector plug used for supplying power enables a current rating of up to 2 x 16 A. The inputs and outputs are equipped with A-coded M12 connector plugs. Connection to the fieldbus is achieved using a D-coded M12 connector plug.

The communication protocols are configured either manually via a rotary switch or automatically. Status information for each channel is displayed via LEDs as a diagnostic function. An integrated web server enables access to the fieldbus module. Information regarding the status of the module is also displayed and network parameters such as the IP address and subnet mask can be configured.

Dimensions

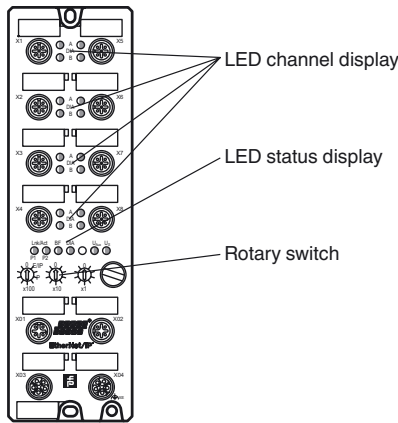


Electrical connection



Release date: 2019-09-04 15:31 Date of issue: 2019-11-20 295313_eng.xml

Indicating / Operating means



Technical data

General specifications

UL File Number E223772

Indicators/operating means

LED indication see manual
 Rotary switch Setting the fieldbus protocol

Electrical specifications

Rated operating voltage U_e 18 ... 30 V
 Nominal voltage 24 V DC
 Current consumption typ. 200 mA
 Current loading capacity Max. 2 x 16 A per module (Loop-through current via L-coded power supply) Total current: max. 9 A per module
 Galvanic isolation between U_S and U_L

Interface 1

Interface type Industrial Ethernet
 Physical M12, D-coded
 Protocol PROFINET IO with media redundancy protocol (MRP) EtherNet/IP with Device Level Ring (DLR)
 Transfer rate 10/100 Mbps

Inputs/Outputs

Number/Type 4 x IO-Link Class A (X1 – X4) 4 x IO-Link Class B (X5 – X8) Configurable as:
 max. 8 IO-Link and 4 digital inputs and outputs
 max. 12 digital inputs and 4 digital outputs
 max. 12 digital outputs and 4 digital inputs
 short-circuit protected
 Sensor supply max. 500 mA Per port (X1 - X8) Via L+ (pin 1)
 Output rated operating current I_e max. 500 mA Per port (X1 - X8) Via C/Q (pin 4) In addition, a maximum of 2 A per port (X5 – X8) Via U_{Aux} (pin 2)

Directive conformity

Electromagnetic compatibility
 Directive 2014/30/EU EN 61000-6-2:2005, EN 61000-6-4:2007+A1:2011

Standard conformity

Degree of protection EN 60529:2000
 Fieldbus standard Type 1 according to IEC 61131-2
 Emitted interference EN 61000-6-4:2007+A1:2011
 Noise immunity EN 61000-6-2:2005
 Shock resistance EN 61131-2:2004

Ambient conditions

Ambient temperature -20 ... 70 °C (-4 ... 158 °F)
 Storage temperature -40 ... 70 °C (-40 ... 158 °F)
 Cold start temperature -40 °C (-40 °F)
 Relative humidity max. 95 %
 Altitude 0 ... 2000 m
 Shock and impact resistance 50 g, 11 ms, all axes
 Vibration resistance 15 g at 5 - 500 Hz
 Pollution degree 3

Mechanical specifications

Contact elements PA
 Degree of protection IP65/IP67/IP69K
 Connection Power Supply M12, L-coded Fieldbus M12, D-coded Inputs/Outputs M12, A-coded

Material

Accessories

V15L-G-5M-PUR-U

Single-ended female cordset, M12, L-coded, 5-pin, PUR cable

V15L-G-2M-PUR-U-V15L-G

Cordset, M12 to M12, L-coded, 5-pin, PUR cable

V1SD-G-2M-PUR-ABG-V45-G

Connection cable, M12 to RJ-45, PUR cable 4-pin, CAT5e

V1SD-G-2M-PUR-ABG-V1SD-G

Ethernet bus cable, M12 to M12, PUR cable 4-pin, CAT5e

V1SD-G-ABG-PG9

Cable connector, M12, 4-pin, D-coded, shielded, non pre-wired

V1-G-BK1M-PUR-A-T-V1-G

Y connecting cable, M12 to 2xM12, 4-pin, PUR cable

VAZ-V1-B3

Blind plug for M12 sockets

V1S-T-V1

Y-splitter, M12 connector on M12 socket/socket

V15L-G-BK

Single-ended female cordset, M12, L-coded, field attachable

MH V1-SCREWDRIVER

torque screwdriver (0.6 Nm)

MH V1-BIT M12

plug-in cap M12

ICA-10DI6DO-G60A-IO

I/O hub with IO-Link interface for 10 digital inputs and 6 digital outputs

ICA-16DIO-G60AL-IO

I/O hub with IO-Link interface for 16 digital inputs/outputs

Contacts	CuSn, gold-plated CuNi, gold-plated
Housing	Diecast zinc
Seal	FKM
Mass	500 g
Tightening torque, fastening screws	1 Nm
Tightening torque, cable gland	≤ 0.5 Nm
Construction type	Field housing
Tightening torque of clamping screws	0.5 Nm

Release date: 2019-09-04 15:31 Date of issue: 2019-11-20 295313_eng.xml

Refer to "General Notes Relating to Pepperl+Fuchs Product Information".

Pepperl+Fuchs Group
www.pepperl-fuchs.com

USA: +1 330 486 0001
fa-info@us.pepperl-fuchs.com

Germany: +49 621 776 4411
fa-info@de.pepperl-fuchs.com

Singapore: +65 6779 9091
fa-info@sg.pepperl-fuchs.com