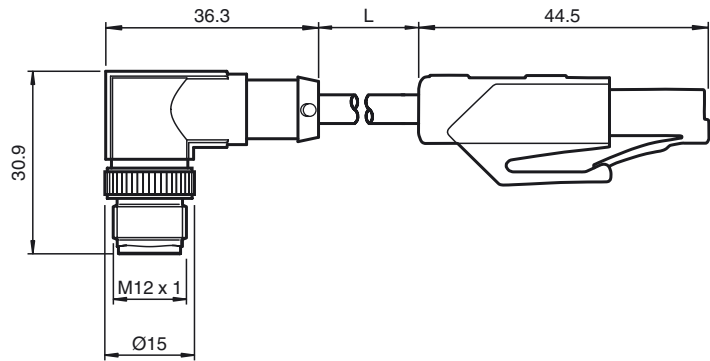


**Dimensions**



**Technical data**

**General specifications**

Number of pins	4
Connection 1	Male connector
Construction type 1	right angle
Threading 1	M12
Connection 2	Male connector
Construction type 2	straight
Threading 2	RJ-45

**Electrical specifications**

Operating voltage	$U_B$	max. 48 V AC / 60 V DC
Operating current	$I_B$	max. 4 A
Volume resistance		150 mΩ/m

**Ambient conditions**

Ambient temperature	-20 ... 60 °C (-4 ... 140 °F) , stationary 0 ... 50 °C (32 ... 122 °F) , moving
---------------------	--

**Mechanical specifications**

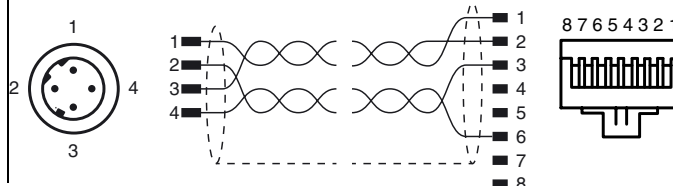
Degree of protection	IP67 / IP20
Connection	M12 x 1 connector, 4-pin, D-coded RJ-45 Category 5 , up to 100 MHz

<b>Material</b>	
Contacts	CuSn
Contact surface	Ni/Au
Body	TPU, black / PA
Cable	PUR
Core insulation	PE
<b>Cable</b>	
Cable	2 pairs with 2 wires each with 2 fillers for the core
Sheath diameter	6.7 mm
Bending radius	> 35 mm
Color	water blue (RAL 5021)
Number of cores	4
Core cross-section	0.14 mm <sup>2</sup>
Conductor construction	7 x 0.15 mm Ø
Shield	aluminum-lined polyester foil Tinned copper braiding, 65 % coverage
Length	L 15 m

**Compliance with standards and directives**

<b>Standard conformity</b>	
Standards	CAT5 (IEC 11801:2002) , CAT5e (TIA 568B:2001)
Specification	connector M12 x 1 : IEC 61076-2-101

**Electrical connection**



**Model Number**

**V1SD-W-2M-PUR-ABG-V45-G**

Connection cable, M12 to RJ-45, PUR cable 4-pin, CAT5e

**Features**

- D coding for Ethernet
- Hard-wearing PUR cable
- CAT5/CAT5e cable
- Halogen-free
- Completely silicon free

**Accessories**

**MH V1-SCREWDRIVER**  
torque screwdriver (0.6 Nm)

**MH V1-BIT M12**  
plug-in cap M12

**V1/V3-LABELHOLDER**  
Label holder

**V1/V3-LABEL**  
Label plate

**V1-MARKING-RING-BLUE**  
Marking ring for M12 plug

**V1-MARKING-RING-GREEN**  
Marking ring for M12 plug

**V1-MARKING-RING-ORANGE**  
Marking ring for M12 plug

**V1-MARKING-RING-RED**  
Marking ring for M12 plug

**V1-MARKING-RING-WHITE**  
Marking ring for M12 plug

**V1-MARKING-RING-YELLOW**  
Marking ring for M12 plug

Release date: 2019-07-12 10:10 Date of issue: 2019-07-12 299906\_eng.xml