



**Model number**

**ICDM-RX/MOD-DB9/RJ45-DIN**

Modbus Gateway 1-port DIN Rail DB9

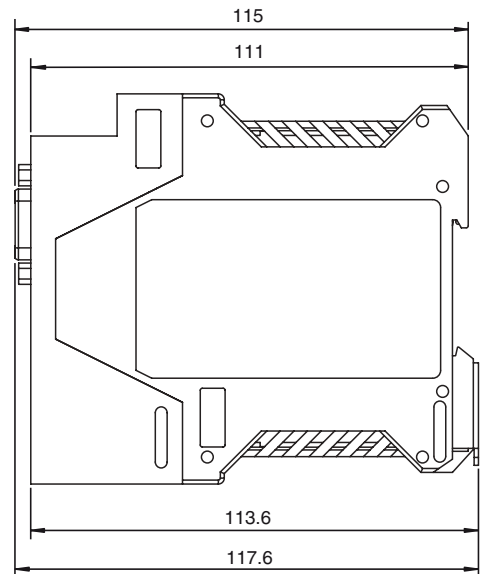
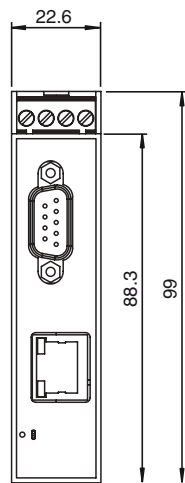
**Features**

- Web-based configuration
- DIN-rail mounting and DB9 serial connector
- RS-232/422/485 software selectable interfaces
- NEMA TS2 Certified
- Pure Modbus, multiple Modbus master and slave types, remote, local, and private devices

**Function**

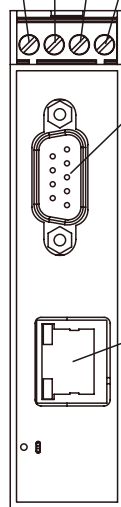
The ICDM-RX/MOD product family provides an innovative network-wide Modbus connectivity from a wide variety of Modbus masters to a wide variety of local and remote Modbus slaves. Advanced features include master-to-master communication, private serial bus connectivity, write protection, and device ID aliasing. With simplified configuration pages and advanced routing, it provides unmatched Modbus connectivity. The integrated webserver enables complete configuration of all module parameters like serial interface, baud rate, data bits, stop bits, or flow control. Products are available in different versions for DB9 or screw terminal connection.

**Dimensions**



**Electrical connection**

Voltage  
+ - + GND



**DB9 Connector**

RS-232	RS-422/RS-485 Full Duplex	RS-232 Half Duplex
1 = DCD	1 = n.c.	1 = n.c.
2 = RxD	2 = RxD-	2 = n.c.
3 = TxD	3 = TxD-	3 = TRxD-
4 = DTR	4 = n.c.	4 = n.c.
5 = GND	5 = GND	5 = GND
6 = DSR	6 = n.c.	6 = n.c.
7 = RTS	7 = TxD+	7 = TRxD+
8 = CTS	8 = RxD+	8 = n.c.
9 = RI	9 = n.c.	9 = n.c.

**Ethernet**

1 = Tx+	5 = n.c.
2 = Tx-	6 = Rx-
3 = Rx+	7 = n.c.
4 = n.c.	8 = n.c.

Release date: 2020-01-10 15:17 Date of issue: 2020-01-10 70104892\_eng.xml

Refer to "General Notes Relating to Pepperl+Fuchs Product Information".

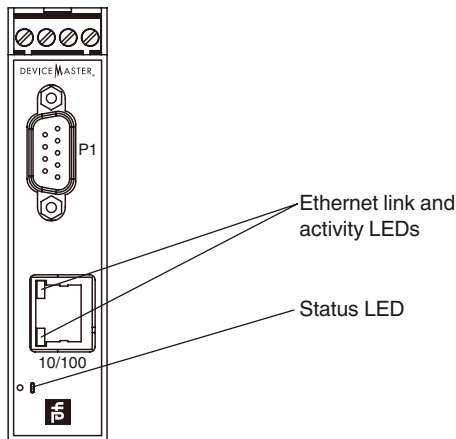
Pepperl+Fuchs Group  
www.pepperl-fuchs.com

USA: +1 330 486 0001  
fa-info@us.pepperl-fuchs.com

Germany: +49 621 776 4411  
fa-info@de.pepperl-fuchs.com

Singapore: +65 6779 9091  
fa-info@sg.pepperl-fuchs.com

## Indicating / Operating means



## Technical data

## General specifications

UL File Number E360395

## Indicators/operating means

LED indication see manual

## Electrical specifications

Rated operating voltage  $U_e$  5 ... 30 V DC  
Nominal voltage 24 V DC

## Interface

Interface type Software selectable interfaces: RS-232, RS-422, RS-485 (2 and 4-wire)

Physical 1 x DB9  
Protocol Raw serial  
Supported baud rates 300 bps to 230Kbps

## Interface 1

Interface type Industrial Ethernet  
Physical 1 x RJ45  
Protocol MODBUS  
Additional protocols ARP, BOOTP, DHCP/RARP, HTTP, HTTPS, SSH, SSL/TLS, ICMP, RFC 1006 (ISO over TCP), SNMP (MIB-II), TCP/IP & UDP socket services, Telnet, and TFTP, and supports IP multicast data transmission  
Transfer rate 10/100 Mbps

## Directive conformity

Electromagnetic compatibility  
Directive 2014/30/EU EN 61000-6-2, EN 55024, EN 61000-6-4, EN 55032

## Standard conformity

Degree of protection NEMA TS2  
Electrical safety CSA C22.2 No. 61010-1-12 / CSA C22.2 No. 61010-1-201  
UL 61010-1 / UL 61010-1-201  
Emitted interference EN 61000-6-4, EN 55032, FCC Part 15 Subpart B, ICES-003, AS/NZS CISPR 32  
Noise immunity EN 61000-6-2, EN 55024

## Ambient conditions

Ambient temperature -40 ... 75 °C (-40 ... 167 °F)  
Storage temperature -40 ... 85 °C (-40 ... 185 °F)  
Relative humidity max. 95 %  
Altitude 0 ... 3048 m

## Mechanical specifications

Connection Power Supply: screw terminals  
Fieldbus: 1 x RJ45  
Inputs/outputs: 1 x DB9

Material  
Housing Polyamide, UL94V-0  
Mass 113.4g  
Construction type Cabinet module  
Mounting DIN mounting rail

## Accessories

## V45-G-C5-GN1M-PUR-E1S

Ethernet bus cable male cordset single-ended RJ45 PROFINET-coded, 4-pin, PUR cable green, Cat5e, shielded

## V45-G-C5-GN3M-PUR-E1S

Ethernet bus cable male cordset single-ended RJ45 PROFINET-coded, 4-pin, PUR cable green, Cat5e, shielded

## V45-G-C5-GN10M-PUR-E1S

Ethernet bus cable male cordset single-ended RJ45 PROFINET-coded, 4-pin, PUR cable green, Cat5e, shielded

## V45-G-C5-GN1M-PUR-E1S-V45-G

Ethernet bus cable RJ45 to RJ45 PROFINET-coded, 4-pin, PUR cable green, Cat5e, shielded

## V45-G-C5-GN3M-PUR-E1S-V45-G

Ethernet bus cable RJ45 to RJ45 PROFINET-coded, 4-pin, PUR cable green, Cat5e, shielded

## V45-G-C5-GN10M-PUR-E1S-V45-G

Ethernet bus cable RJ45 to RJ45 PROFINET-coded, 4-pin, PUR cable green, Cat5e, shielded

## V45-G-C5-GN20M-PUR-E1S-V45-G

Ethernet bus cable RJ45 to RJ45 PROFINET-coded, 4-pin, PUR cable green, Cat5e, shielded