



Model Number

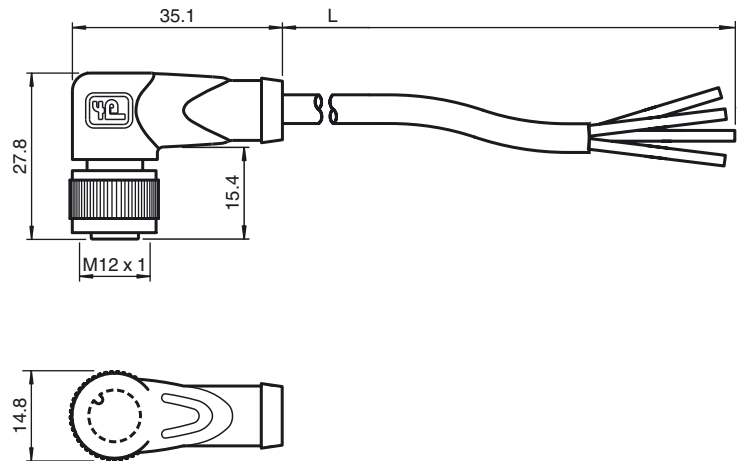
V1-W-E8W-OR2M-POC

Female cordset single-ended M12 A-coded, LED 4-pin, TPE cable welding-bead resistant orange

Features

- Built-in LED, as operating and function indicator
- Resistant to welding bead formation
- Suitable for robotic applications / torsion resistant
- Does not give off silicone
- Ozone resistant
- Hydrolysis resistant
- Halogen-free
- Knurled nut suitable for tool assembly
- Immunity to vibration, with mechanical latching
- Gold plated contacts
- Degree of protection IP67 / IP68 / IP69

Dimensions



Technical data

General specifications

Number of pins	4
Connection 1	socket
Construction type 1	right angle
Threading 1	M12
Coding 1	A-coded
Connection 2	cable end

Indicators/operating means

LED green	Operating display
LED yellow	Functional display NO contact 4
LED white	Functional display NO contact 2

Electrical specifications

Operating voltage	U_B	max. 24 V DC \pm 15%
Operating current	I_B	max. 4 A

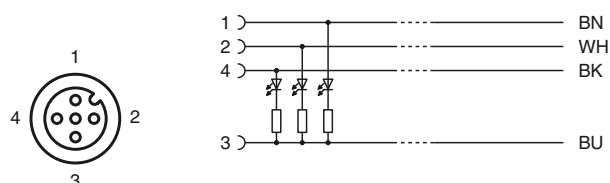
Ambient conditions

Ambient temperature	Body: -40 ... 90 °C (-40 ... 194 °F) Cable, flexing: -15 ... 120 °C (5 ... 248 °F) for 20000 h -15 ... 150 °C (5 ... 302 °F) for 3000 h cable, fixed: -40 ... 120 °C (-40 ... 248 °F) for 20000 h -40 ... 150 °C (-40 ... 302 °F) for 3000 h
Pollution degree	3

Mechanical specifications

Contact elements	spring-loaded contact socket
Degree of protection	IP67 / IP68 / IP69
Cable code	Li 7Y-41X 4 x 0.34
Material	
Contacts	CuZn
Contact surface	Au
Body	TPU, transparent
Cable	TPE resistant to welding bead formation
Slotted nut	Diecast zinc
Core insulation	ETFE
Cable	according to IEC/EN 60228 (DIN VDE 0295) class 5
Sheath diameter	4.8 mm
Bending radius	> 10 x cable diameter, moving > 10 x cable diameter, fixed
Color	orange
Number of cores	4
Core cross-section	0.34 mm ²
Cores color	Core 1: brown Core 2: white Core 3: blue Core 4: black

Electrical connection





Conductor construction	19 x 0.16 mm Ø	
Length	L	2 m
Flammability		
Contact carrier	HB	
Housing	V-2	
Cable	flame-resistant	
Compliance with standards and directives		
Standard conformity		
Degree of protection	EN 60529	
Flammability	IEC 60332-1-2 Flame-retardant as per ISO 14572 and ISO 6722	
Halogen-free	IEC 60754-2	
Specification	connector M12 x 1 : IEC 61076-2-101	

Release date: 2020-02-21 13:22 Date of issue: 2020-02-21 224714_eng.xml

Refer to "General Notes Relating to Pepperl+Fuchs Product Information".

Pepperl+Fuchs Group
www.pepperl-fuchs.com

USA: +1 330 486 0001
fa-info@us.pepperl-fuchs.com

Germany: +49 621 776 1111
fa-info@de.pepperl-fuchs.com

Singapore: +65 6779 9091
fa-info@sg.pepperl-fuchs.com