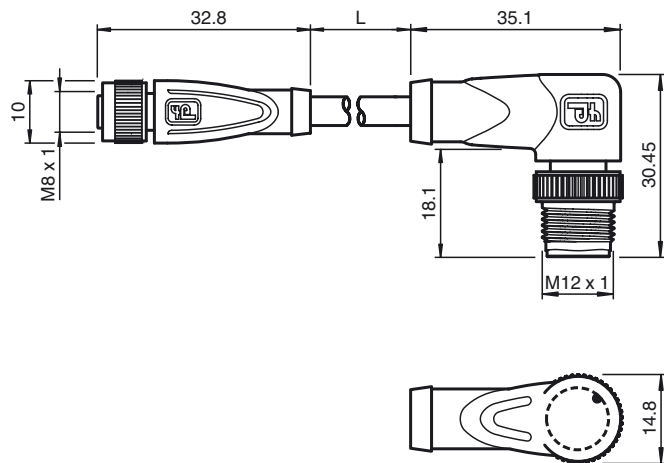




Dimensions



Model Number

V3-GM-OR1M-POC-V11-W

Cordset M8 socket to M12 plug A-coded, 3-pin, TPE cable welding-bead resistant orange

Features

- Resistant to welding bead formation
- Suitable for robotic applications / torsion resistant
- Does not give off silicone
- Ozone resistant
- Hydrolysis resistant
- Halogen-free
- Knurled nut suitable for tool assembly
- Immunity to vibration, with mechanical latching
- Gold plated contacts
- Degree of protection IP67 / IP68 / IP69

Technical data

General specifications

Number of pins	3
Connection 1	socket
Construction type 1	straight
Threading 1	M8
Coding 1	A-coded
Connection 2	Male connector
Construction type 2	right angle
Threading 2	M12
Coding 2	A-coded

Electrical specifications

Operating voltage	U_B	max. 48 V AC / 60 V DC
Operating current	I_B	max. 3 A

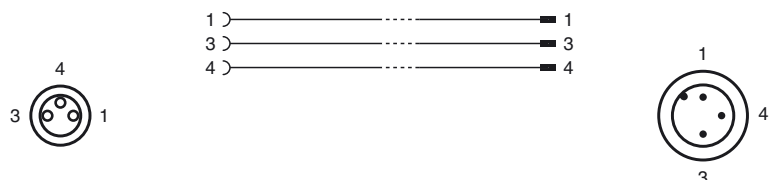
Ambient conditions

Ambient temperature	Body: -40 ... 90 °C (-40 ... 194 °F) Cable, flexing: -15 ... 120 °C (5 ... 248 °F) for 20000 h -15 ... 150 °C (5 ... 302 °F) for 3000 h cable, fixed: -40 ... 120 °C (-40 ... 248 °F) for 20000 h -40 ... 150 °C (-40 ... 302 °F) for 3000 h
Pollution degree	3

Mechanical specifications

Contact elements	spring-loaded contact socket
Degree of protection	IP67 / IP68 / IP69
Cable code	Li 7Y-41X 4 x 0.34
Material	
Contacts	CuZn
Contact surface	Au
Body	TPU, black
Cable	TPE resistant to welding bead formation
Slotted nut	Diecast zinc
Sleeve connector	Diecast zinc
Core insulation	ETFE
Cable	according to IEC/EN 60228 (DIN VDE 0295) class 5
Sheath diameter	4.8 mm
Bending radius	> 10 x cable diameter, moving > 10 x cable diameter, fixed
Color	orange
Number of cores	3
Core cross-section	0.34 mm ²
Cores color	Core 1: brown Core 3: blue Core 4: black
Conductor construction	19 x 0.16 mm Ø

Electrical connection



Release date: 2020-03-04 13:41 Date of issue: 2020-03-04 249492_eng.xml

Refer to "General Notes Relating to Pepperl+Fuchs Product Information".

Length	L	1 m
Flammability		
Contact carrier		HB
Housing		V-2
Cable		flame-resistant
Compliance with standards and directives		
Standard conformity		
Degree of protection		EN 60529
Flammability		IEC 60332-1-2 Flame-retardant as per ISO 14572 and ISO 6722
Halogen-free		IEC 60754-2
Specification		connector M12 x 1 : IEC 61076-2-101 connector M8 x 1 : IEC 61076-2-104

Release date: 2020-03-04 13:41 Date of issue: 2020-03-04 249492_eng.xml

Refer to "General Notes Relating to Pepperl+Fuchs Product Information".

Pepperl+Fuchs Group
www.pepperl-fuchs.com

USA: +1 330 486 0001
fa-info@us.pepperl-fuchs.com

Germany: +49 621 776 1111
fa-info@de.pepperl-fuchs.com

Singapore: +65 6779 9091
fa-info@sg.pepperl-fuchs.com