

# Counter

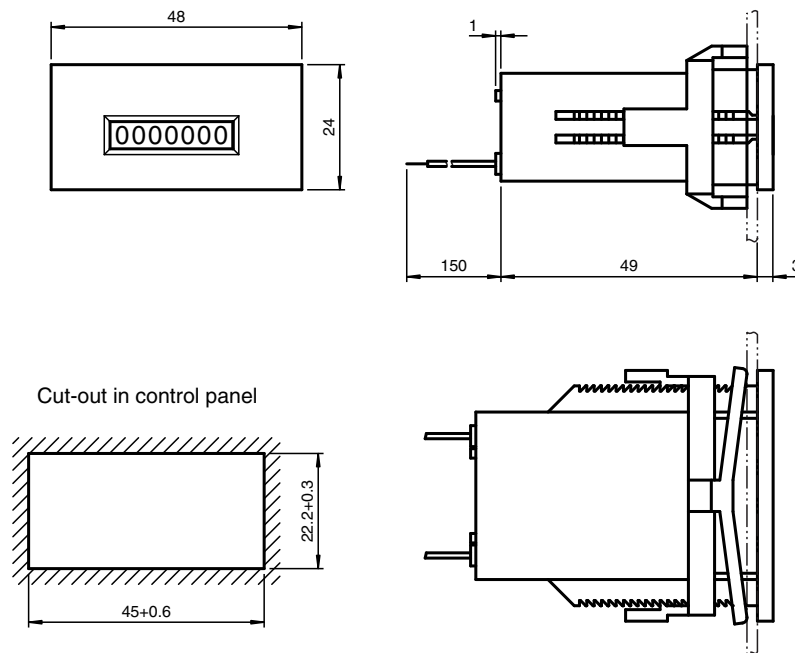
## KCM-70-C



- Electromechanical summator
- 7 decade devices
- Counter frequency 10 Hz
- Without reset
- Power supply 24 V DC or 230 V AC
- Fixing with latching spring or latch fastener for easy installation
- Degree of protection IP42 in accordance with DIN EN 60529 (front only)
- Shock resistance in accordance with DIN EN 60068-2-27
- Vibration resistance in accordance with DIN EN 60068-2-6



### Dimensions



### Technical Data

#### Functional safety related parameters

MTTF <sub>d</sub>	4600 a
Mission Time (T <sub>M</sub> )	20 a
Diagnostic Coverage (DC)	0 %

#### Indicators/operating means

Type	digital display
Number of digits	7
Display value	digit height 4 mm

#### Electrical specifications

Release date: 2020-03-20 Date of issue: 2020-03-26 Filename: 097902\_eng.pdf

Refer to "General Notes Relating to Pepperl+Fuchs Product Information".

Pepperl+Fuchs Group  
www.pepperl-fuchs.com

USA: +1 330 486 0001  
fa-info@us.pepperl-fuchs.com

Germany: +49 621 776 1111  
fa-info@de.pepperl-fuchs.com

Singapore: +65 6779 9091  
fa-info@sg.pepperl-fuchs.com

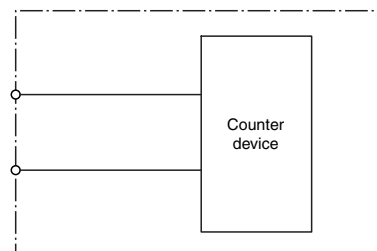
**PF** PEPPERL+FUCHS

## Technical Data

Operating voltage	$U_B$	24 V DC
Power consumption	$P_0$	0.6 W
<b>Input</b>		
Pulse length/pulse interval		50 ms / 50 ms
Counting frequency		10 Hz
<b>Ambient conditions</b>		
Ambient temperature		-10 ... 50 °C (14 ... 122 °F)
Storage temperature		-40 ... 90 °C (-40 ... 194 °F)
Relative humidity		≤ 80 % (noncondensing)
<b>Mechanical specifications</b>		
Connection		flexible leads AWG 22 150 mm long
Mass		60 g
Dimensions		48 mm x 24 mm x 54 mm
Mounting		latch fastener
Life span		> 50 x 10 <sup>6</sup> pulses

## Connection

### DC Supply



### AC Supply

