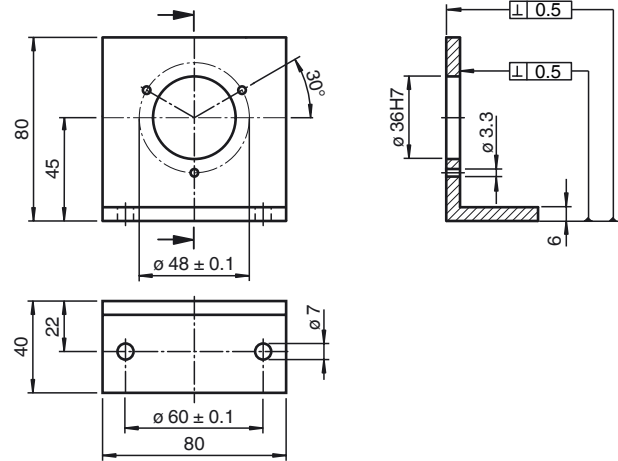


Dimensions



Technical data

Model Number

9203

Angled flange

Release date: 2019-07-12 14:10 Date of issue: 2019-07-12 040625_eng.xml

Refer to "General Notes Relating to Pepperl+Fuchs Product Information".