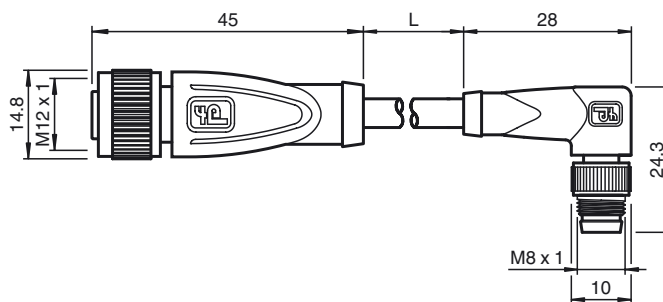




**Dimensions**



**Model Number**

**V1-G-2M-PUR-V31-WM**  
 Connection cable, M12 to M8, PUR cable, 4-pin

**Features**

- Knurled nut suitable for tool assembly
- Immunity to vibration, with mechanical latching
- Gold-plated and machined contacts
- Resistant to microbes and hydrolysis
- Halogen-free

**Technical data**

**General specifications**

Number of pins	4
----------------	---

**Electrical specifications**

Operating voltage	$U_B$	max. 30 V DC
Test voltage		> 1500 V <sub>eff</sub> AC
Operating current	$I_B$	max. 3 A
Volume resistance		< 5 mΩ

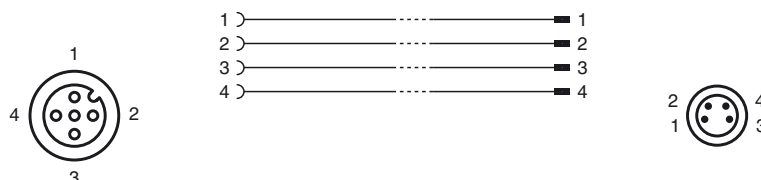
**Ambient conditions**

Ambient temperature	-40 ... 90 °C (-40 ... 194 °F) cable, fixed: -40 ... 80 °C (-40 ... 176 °F) cable, flexing: -20 ... 80 °C (-4 ... 176 °F)
Pollution degree	3

**Mechanical specifications**

Contact elements	spring-loaded contact socket
Pin diameter	1 mm
Degree of protection	IP67
Material	
Contacts	CuSn / Au
Contact surface	Au
Body	TPU, green
Cable	PUR
Slotted nut	Diecast zinc
Sleeve connector	Diecast zinc
Core insulation	PP
Cable	fine-strand, flexible
Sheath diameter	Ø 4.3 mm
Bending radius	> 15 x cable diameter, moving > 8 x cable diameter, fixed
Color	grey
Cores	4 x 0.25 mm <sup>2</sup>
Conductor construction	14 x 0.15 mm Ø
Length	L 2 m
Flammability	
Contact carrier	94 HB
Housing	94 V-2

**Electrical connection**



Release date: 2017-03-27 14:51 Date of issue: 2017-03-27 221134\_eng.xml

Refer to "General Notes Relating to Pepperl+Fuchs Product Information".