



Model Number

NCB40-FP-A2-T-P1

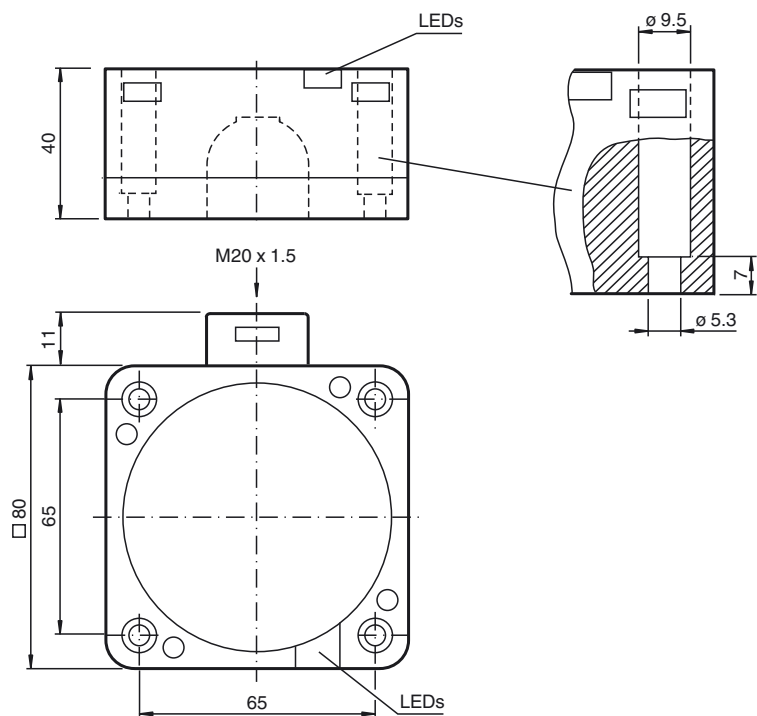
Features

- Comfort series

Technical Data

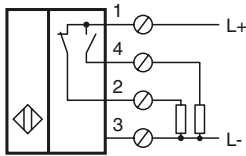
General specifications	
Switching function	complementary
Output type	PNP
Rated operating distance	s_n 40 mm
Installation	flush
Output polarity	DC
Assured operating distance	s_a 0 ... 32.4 mm
Actual operating distance	s_r 36 ... 44 mm
Reduction factor r_{Al}	0.25
Reduction factor r_{Cu}	0.23
Reduction factor r_{304}	0.85
Output type	4-wire
Nominal ratings	
Operating voltage	U_B 10 ... 30 V
Switching frequency	f 0 ... 80 Hz
Hysteresis	H typ. 3 %
Reverse polarity protection	reverse polarity protected
Voltage drop	U_d \leq 3 V
Temperature drift	-10 ... 15 % at < -25 °C
Operating current	I_L 0 ... 200 mA
Off-state current	I_r 0 ... 0.5 mA
No-load supply current	I_0 \leq 20 mA
Time delay before availability	t_v \leq 300 ms
Operating voltage indicator	LED, green
Switching state indicator	LED, yellow
Functional safety related parameters	
MTTF _d	554 a
Mission Time (T_M)	20 a
Diagnostic Coverage (DC)	0 %
Ambient conditions	
Ambient temperature	-40 ... 100 °C (-40 ... 212 °F)
Mechanical specifications	
Connection type	screw terminals
Information for connection	A maximum of two conductors with the same core cross section may be mounted on one terminal connection! tightening torque 1.2 Nm + 10 % up to 2.5 mm ²
Core cross-section	
Minimum core cross-section	without wire end ferrule 0.5 mm ² , with connector sleeves 0.34 mm ²
Maximum core cross-section	without wire end ferrule 2.5 mm ² , with connector sleeves 1.5 mm ²
Housing material	PBT
Sensing face	PBT
Housing base	PBT
Degree of protection	IP68
Compliance with standards and directives	
Standard conformity	
Standards	EN 60947-5-2:2007 EN 60947-5-2/A1:2012 IEC 60947-5-2:2007 IEC 60947-5-2 AMD 1:2012
Approvals and certificates	
UL approval	cULus Listed, General Purpose
CSA approval	cCSAus Listed, General Purpose
CCC approval	CCC approval / marking not required for products rated \leq 36 V

Dimensions



Release date: 2020-01-03 09:16 Date of issue: 2020-01-03 129428_eng.xml

Electrical Connection



Installation Hint

These sensors are especially designed for embeddable mounting in conveyor floors. Due to its precise location in metal base plates the sensor is afforded a high degree of mechanical protection. No clearance is required between the sensor and the base plate, avoiding the need for protective guarding to prevent possible foot injury.

The large sensing range ensures positive detection, and thus provides consistent control and monitoring of the conveyor.

