



**Model number**

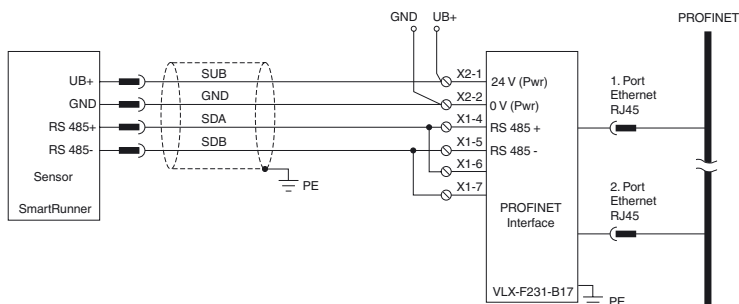
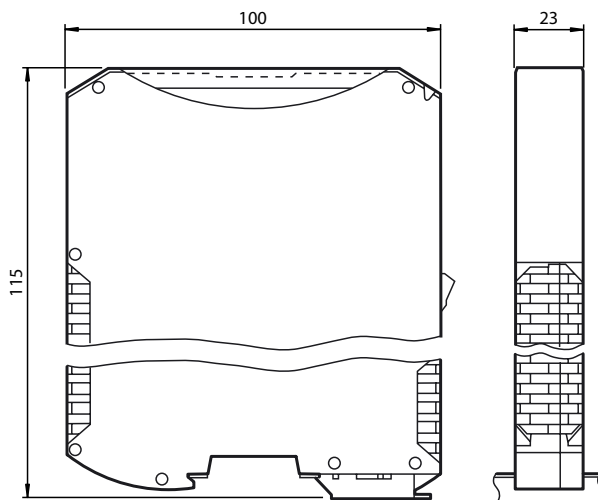
**VLX-F231-B17**

Interface module with PROFINET interface for SmartRunner

**Features**

- Up to 4 sensors can be connected
- DIN rail mounting
- Ethernet interface with PROFINET
- Integrated switch

**Dimensions**



**Technical data**

**General specifications**

Installation	DIN rail mounting
--------------	-------------------

**Functional safety related parameters**

MTTF <sub>d</sub>	180 a
Mission Time (T <sub>M</sub> )	10 a
Diagnostic Coverage (DC)	0 %

**Electrical specifications**

Operating voltage	U <sub>B</sub>	10 ... 30 V DC
Power consumption	P <sub>0</sub>	≤ 3.6 W (without read heads)

**Interface 1**

Connection of	control system
Interface type	Ethernet; 100 BASE-TX
Protocol	PROFINET IO
Transfer rate	100 MBit/s
Data output format	binary code

**Interface 2**

Connection of	control system
Interface type	Ethernet; 100 BASE-TX
Protocol	PROFINET IO
Transfer rate	100 MBit/s
Data output format	binary code

**Interface 3**

Connection of	sensor
Interface type	RS485
Protocol	half duplex
Transfer rate	230 kBit/s
RS485 termination resistor	switchable

Release date: 2018-07-26 15:49 Date of issue: 2018-07-26 310754\_eng.xml

Refresh cycle of read head	1 ms
<b>Standard conformity</b>	
Emitted interference	EN 55011, cl. A: 2007
Noise immunity	EN 61000-6-2:2005
<b>Ambient conditions</b>	
Operating temperature	-25 ... 85 °C (-13 ... 185 °F) , no moisture condensation
Storage temperature	-40 ... 85 °C (-40 ... 185 °F)
Relative humidity	≤ 80 %
<b>Mechanical specifications</b>	
Connection type	Interface 1 & 2: RJ-45 socket, 8-pin Interface 3: terminal connection ≤ 2.5 mm <sup>2</sup> Interface 4: Terminal connection, 2-pin
Housing width	23 mm
Housing height	100 mm (without plug-in screw connector) 111 mm (incl. plug-in screw connector)
Housing depth	115 mm
Degree of protection	IP20
Material	plastic
Installation position	any position
Mass	approx. 150 g