



### Model Number

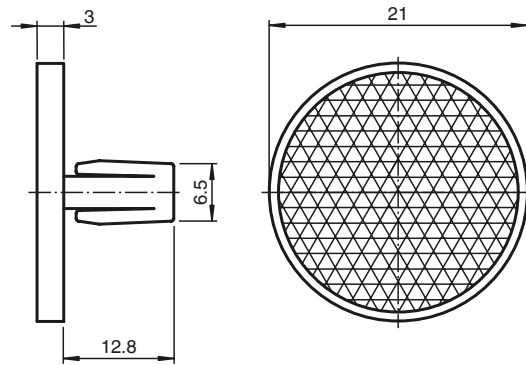
**REF-MCLIP21**

Reflector with Micro-structure, round  $\varnothing$  21 mm, snap-in

### Features

- Simple installation with snap-in fastener
- Micro-structure

### Dimensions



### Technical data

#### General specifications

Construction type	circular
-------------------	----------

#### Ambient conditions

Ambient temperature	-20 ... 85 °C (-4 ... 185 °F)
---------------------	-------------------------------

#### Mechanical specifications

Material	PMMA/ABS
Dimensions	Diameter: 21 mm
Mounting	Snap-in