



Model Number

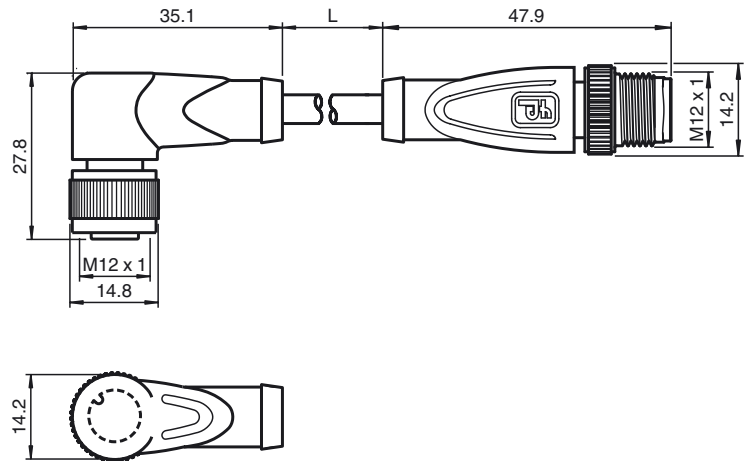
V1-W-E8-BK1M-PUR-U-V1-G

Double-ended cordset, M12 to M12, LED, 4-pin, PUR cable

Features

- Built-in LED, as operating and function indicator
- UL Recognized Component
- Knurled nut suitable for tool assembly
- Flame resistant cable
- Immunity to vibration, with mechanical latching
- Gold plated contacts
- Degree of protection IP67 / IP68 / IP69K
- Suitable for drag chains

Dimensions



Technical data

General specifications

| | |
|----------------|---------|
| Number of pins | 4 |
| UL File Number | E231213 |

Indicators/operating means

| | |
|------------|--|
| LED green | Operating display |
| LED yellow | Functional display Normally closed/normally open pin 4 |
| LED red | Functional display Normally closed/normally open pin 2 |

Electrical specifications

| | | |
|-------------------|-------|------------------------|
| Operating voltage | U_B | max. 24 V DC \pm 15% |
| Operating current | I_B | max. 4 A |
| Volume resistance | | < 5 m Ω |

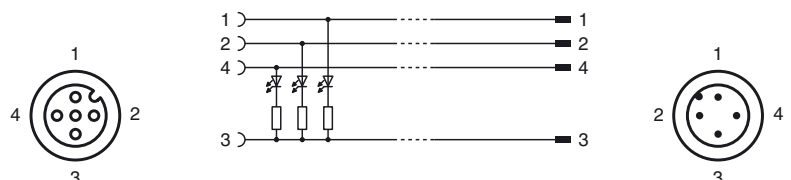
Ambient conditions

| | |
|---------------------|---|
| Ambient temperature | Body: -40 ... 90 °C (-40 ... 194 °F) cable, fixed: -40 ... 80 °C (-40 ... 176 °F) cable, flexing: -20 ... 80 °C (-4 ... 176 °F) |
| Pollution Degree | 3 |

Mechanical specifications

| | |
|------------------------|--|
| Contact elements | spring-loaded contact socket |
| Pin diameter | 1 mm |
| Degree of protection | IP67 / IP68 / IP69k |
| Material | |
| Contacts | CuSn / Au |
| Contact surface | Au |
| Body | TPU, transparent/black |
| Cable | PUR |
| Slotted nut | Diecast zinc |
| Sleeve connector | Diecast zinc |
| Core insulation | PP |
| Cable | extra-fine wire, flexible |
| Sheath diameter | \varnothing 4,3 mm |
| Bending radius | > 10 x cable diameter, moving > 5 x cable diameter, fixed |
| Color | black |
| Cores | 4 x 0,34 mm ² |
| Conductor construction | 42 x 0,1 mm \varnothing |
| Length | L 1 m |
| Drag chain suitability | |
| Drag chain cycles | \geq 5000000 |
| Motion velocity | \leq 3,3 m/s |
| Torsional stress | \pm 180 °/m |
| Flammability | |
| Contact material | HB |
| Housing | V-2 |
| Cable | FT2 |

Electrical connection



Release date: 2015-06-12 12:02 Date of issue: 2015-06-24 252986_eng.xml

Refer to "General Notes Relating to Pepperl+Fuchs Product Information".

Pepperl+Fuchs Group
www.pepperl-fuchs.com

USA: +1 330 486 0001
fa-info@us.pepperl-fuchs.com

Germany: +49 621 776 4411
fa-info@de.pepperl-fuchs.com

Singapore: +65 6779 9091
fa-info@sg.pepperl-fuchs.com

Compliance with standards and directives

Standard conformity

| | |
|----------------------|----------------------|
| Degree of protection | EN 60529:2000 |
| Standards | IEC 61076-2-101:2008 |
| Flammability | Grip: UL 94 |
| Halogen-free | IEC 60754-1:1994 |

Approvals and certificates

| | |
|---|--|
| UL approval | cURus AWM 20549 AWM I/II A/B 80°C 300V FT2 (cable) |
| Maximum permissible operating voltage | ≤ 30 V |
| Maximum permissible ambient temperature | ≤ 80 °C (≤ 176 °F) |

Release date: 2015-06-12 12:02 Date of issue: 2015-06-24 252986_eng.xml