



### Model Number

**NBB1,5-F79-E1-0,1M-V3**

### Features

- 1.5 mm flush
- 3-wire DC

### Accessories

#### V3-WM

Female cordset single-ended, M8, 3-pin, field attachable

#### V3-GM

Female cordset single-ended, M8, 3-pin, field attachable

#### V3-WM-2M-PUR

Female cordset single-ended, M8, 3-pin, PUR cable

## Technical Data

### General specifications

Switching function		Normally closed (NC)
Output type		NPN
Rated operating distance	$s_n$	1.5 mm
Installation		flush
Output polarity		DC
Assured operating distance	$s_a$	0 ... 1.215 mm
Reduction factor $r_{AI}$		0.3
Reduction factor $r_{CU}$		0.2
Reduction factor $r_{304}$		0.7
Output type		3-wire

### Nominal ratings

Operating voltage	$U_B$	5 ... 30 V DC
Switching frequency	$f$	0 ... 1200 Hz
Hysteresis	$H$	typ. 5 %
Short-circuit protection		pulsing
Voltage drop	$U_d$	$\leq 1.5$ V
Operating current	$I_L$	0 ... 100 mA
Off-state current	$I_r$	$\leq 10$ $\mu$ A
No-load supply current	$I_0$	$\leq 15$ mA
Time delay before availability	$t_v$	$\leq 20$ ms

### Functional safety related parameters

MTTF <sub>d</sub>		3910 a
Mission Time (T <sub>M</sub> )		20 a
Diagnostic Coverage (DC)		0 %

### Ambient conditions

Ambient temperature		-25 ... 70 °C (-13 ... 158 °F)
---------------------	--	--------------------------------

### Mechanical specifications

Connection type		Cable connector M8 x 1, 3-pin with PVC cable 100 mm
Core cross-section		0.09 mm <sup>2</sup>
Housing material		PA
Sensing face		PA
Degree of protection		IP67

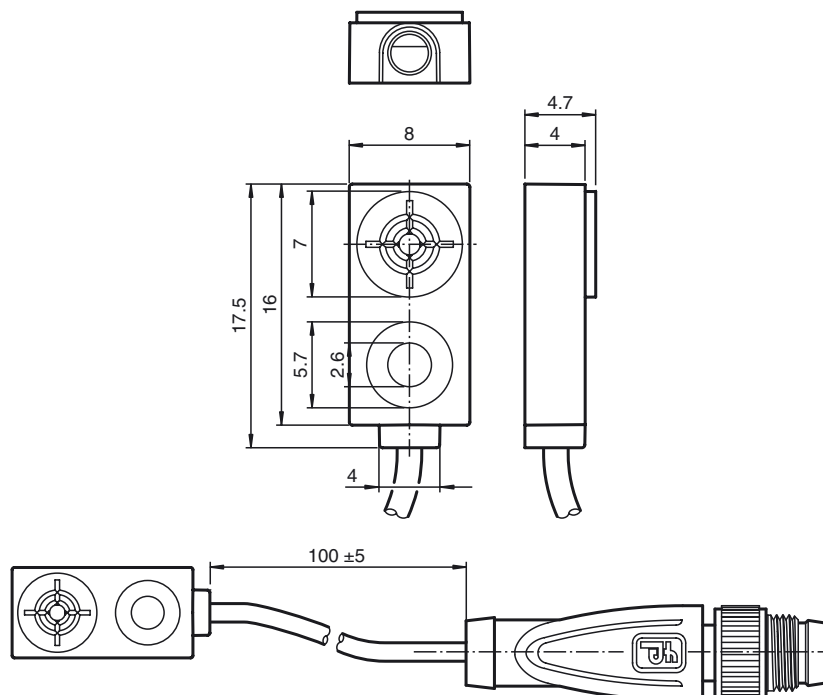
### Compliance with standards and directives

Standard conformity		
Standards		EN 60947-5-2:2007 EN 60947-5-2/A1:2012 IEC 60947-5-2:2007 IEC 60947-5-2 AMD 1:2012

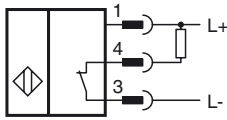
### Approvals and certificates

CCC approval		CCC approval / marking not required for products rated $\leq 36$ V
--------------	--	--

## Dimensions



**Electrical Connection**



**Pinout**



Wire colors in accordance with EN 60947-5-2

1		BN	(brown)
3		BU	(blue)
4		BK	(black)