



Card holder

MTA-C1V1

- Card holder for code and data carrier MTO-C1 and MTM-C1
- With fastening clip

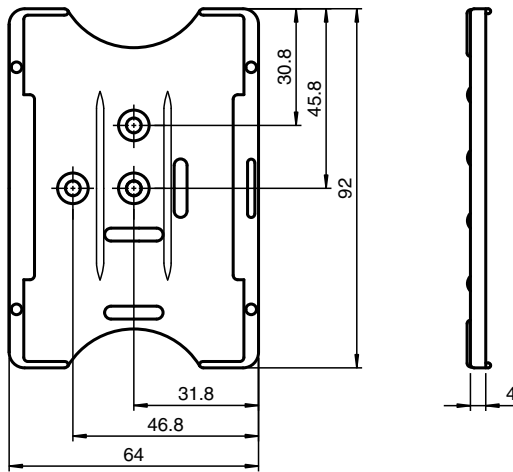
Card holder with fixing clip



Function

The MTA-C1V1 card holder is recommended for mounting the code and data carriers to different types of objects. The main area of application is the person identification. The code or data carrier is inserted into and removed from the card holder without the use of tools.

Dimensions



Technical Data

Mechanical specifications	
Material	support: polycarbonate clip: polycarbonate
Mass	without clip: 7 g with clip: 10 g
Dimensions	92 mm x 64 mm x 9 mm (W x H x D) including clip

Release date: 2020-03-27 Date of issue: 2020-03-27 Filename: 039764_eng.pdf