



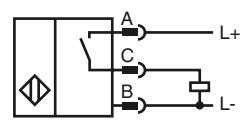
Model Number

NBB8-18GM50-E2-M-Y257916

Features

- 8 mm flush
- Increased operating distance
- Extended temperature range - 40 ... +85 °C
- e1-Type approval
- Increased noise immunity 100 V/m

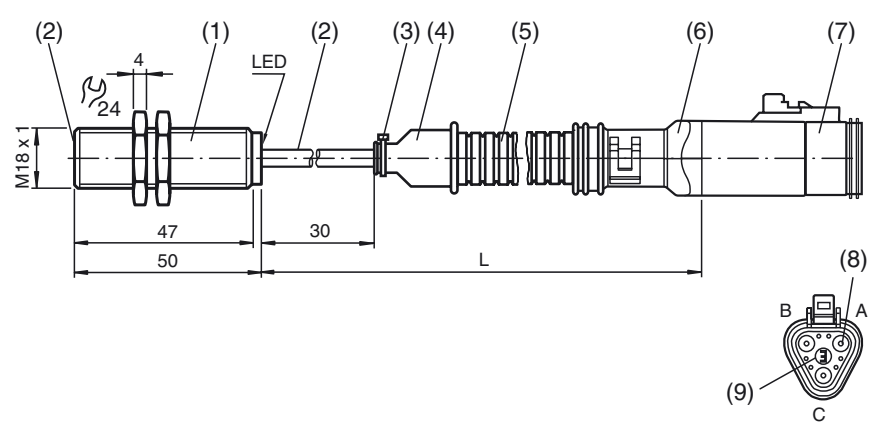
Connection



Accessories

- BF 18**
Mounting flange, 18 mm
- EXG-18**
Quick mounting bracket with dead stop

Dimensions



Technical Data

General specifications			
Switching element function		PNP	NO
Rated operating distance	s_n	8 mm	
Installation		flush	
Output polarity		DC	
Assured operating distance	s_a	0 ... 6.48 mm	
Reduction factor r_{Al}		0.45	
Reduction factor r_{Cu}		0.4	
Reduction factor r_{304}		0.7	
Nominal ratings			
Operating voltage	U_B	10 ... 30 V	
Switching frequency	f	0 ... 400 Hz	
Hysteresis	H	typ. 5 %	
Reverse polarity protection		reverse polarity protected	
Short-circuit protection		pulsing	
Voltage drop	U_d	≤ 2.5 V	
Operating current	I_L	0 ... 200 mA	
Off-state current	I_r	0 ... 0.5 mA typ. 0.1 μ A at 25 °C	
No-load supply current	I_0	≤ 10 mA	
Time delay before availability	t_v	≤ 20 ms	
Switching state indication		all direction LED, yellow	
Functional safety related parameters			
MTTF _d		1630 a	
Mission Time (T_M)		20 a	
Diagnostic Coverage (DC)		0 %	
Ambient conditions			
Ambient temperature		-40 ... 85 °C (-40 ... 185 °F)	
Mechanical specifications			
Connection type		Cable connector Deutsch with PUR cable L = 635 mm \pm 10 mm	
Connection assembly		(1) sensor (2) Identification Number (3) Cable clip (4) Schlemmer rubber bushing, 8500495 (5) Schlemmer corrugated tube 120010 (6) Deutsch backshell: 1011-259-0305 (7) Deutsch housing: DT06-3S-C015 (8) Deutsch contact: 1062-16-0622 (9) Deutsch wedge: W3S	
Core cross-section		0.75 mm ²	
Housing material		brass, nickel-plated	
Sensing face		PBT	
Protection degree		IP68 / IP69K	
Compliance with standards and directives			
Standard conformity		EN 60947-5-2:2007 IEC 60947-5-2:2007	
Approvals and certificates			
UL approval		cULus Listed, General Purpose	
CSA approval		cCSAus Listed, General Purpose	
CCC approval		CCC approval / marking not required for products rated ≤ 36 V	
e1 Type approval		2006/28/EG	

Release date: 2013-06-17 16:52 Date of issue: 2013-06-17 257916_eng.xml

Installation hint

Emitted interference and interference immunity in accordance with motor vehicle directive 2006/28/EG (e1 Type approval)
 Interference immunity in accordance with DIN ISO 11452-2: 100 V/m
 Frequency band 20 MHz up to 2 GHz

Mains-borne interference in accordance with ISO 7637-2: Pulse

	1	2a	2b	3a	3b	4	5
Severity level	III	III	III	III	III	III	IV
Failure criterion	C	A	C	A	A	A	C

EN 61000-4-2:	CD: 8 kV / AD: 15 kV
Severity level	IV IV
EN 61000-4-3:	30 V/m (80...2500 MHz)
Severity level	IV
EN 61000-4-4:	2 kV
Severity level	III
EN 61000-4-6:	10 V (0.01...80 MHz)
Severity level	III
EN 55011:	Class A

Release date: 2013-06-17 16:52 Date of issue: 2013-06-17 257916_eng.xml