



**Model Number**

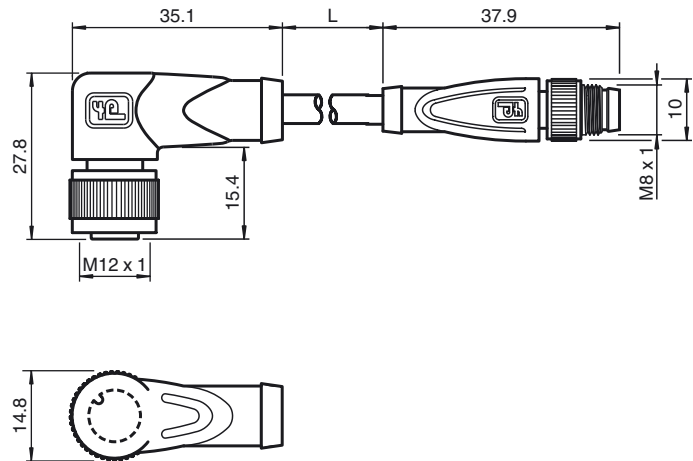
**V1-W-5M-PUR-V31-GM**

Connection cable, M12 to M8, PUR cable, 4-pin

**Features**

- Knurled nut suitable for tool assembly
- Immunity to vibration, with mechanical latching
- Gold-plated and machined contacts
- Resistant to microbes and hydrolysis
- Halogen-free

**Dimensions**



**Technical data**

**General specifications**

Number of pins	4
Connection 1	socket
Construction type 1	right angle
Threading 1	M12
Connection 2	Male connector
Construction type 2	straight
Threading 2	M8

**Electrical specifications**

Operating voltage	$U_B$	max. 30 V DC
Operating current		max. 3 A
Contact resistance		< 10 mΩ

**Ambient conditions**

Ambient temperature	-40 ... 90 °C (-40 ... 194 °F) cable, fixed: -40 ... 80 °C (-40 ... 176 °F) cable, flexing: -20 ... 80 °C (-4 ... 176 °F)
Pollution Degree	3

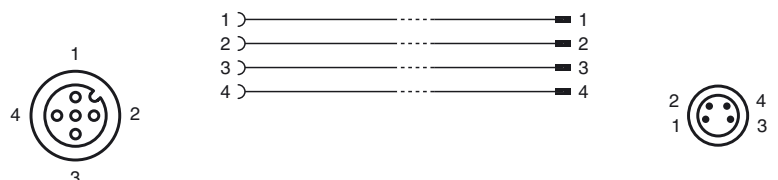
**Mechanical specifications**

Contact elements	spring-loaded contact socket
Pin diameter	1 mm
Protection degree	IP67
<b>Material</b>	
Contacts	CuSn / Au
Contact surface	Au
Body	TPU, green
Cable	PUR
Slotted nut	Diecast zinc
Sleeve connector	Diecast zinc
Core insulation	PP
Cable	fine-strand, flexible
Sheath diameter	Ø 4.3 mm
Bending radius	> 15 x cable diameter, induced > 8 x cable diameter, fixed
Color	grey
Cores	4 x 0.25 mm <sup>2</sup>
Conductor construction	14 x 0.15 mm Ø
Length	L 5 m
Flammability	
Contact material	94 HB
Housing	94 V-2

**Compliance with standards and directives**

Standard conformity	
Protection degree	EN 60529:2000

**Electrical connection**



Release date: 2013-08-13 18:41 Date of issue: 2013-08-13 207602\_eng.xml

Refer to "General Notes Relating to Pepperl+Fuchs Product Information".



Standards

IEC 61076-2-101:2008

Release date: 2013-08-13 18:41 Date of issue: 2013-08-13 207602\_eng.xml