

Read head
IRH-12GM-V1



Read head



iDENT-I System V

Release date: 2020-03-20 Date of issue: 2020-03-27 Filename: 021655_eng.pdf

Refer to "General Notes Relating to Pepperl+Fuchs Product Information".

Pepperl+Fuchs Group
www.pepperl-fuchs.com

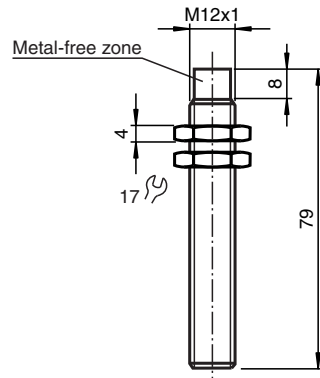
USA: +1 330 486 0001
fa-info@us.pepperl-fuchs.com

Germany: +49 621 776 1111
fa-info@de.pepperl-fuchs.com

Singapore: +65 6779 9091
fa-info@sg.pepperl-fuchs.com



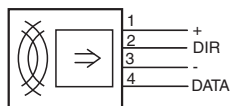
Dimensions



Technical Data

General specifications	
Distance	distance tables, see introduction
Electrical specifications	
Power consumption	P ₀ 600 mW
Ambient conditions	
Ambient temperature	-25 ... 70 °C (-13 ... 158 °F)
Storage temperature	-40 ... 85 °C (-40 ... 185 °F)
Mechanical specifications	
Degree of protection	IP67 according to EN 60529
Connection	M12 x 1 connector
Material	
Housing	High grade stainless steel
Installation	
In metal	non-flush, overshoot at least 10 mm
Distance between two heads	300 mm

Connection



Release date: 2020-03-20 Date of issue: 2020-03-27 Filename: 021655_eng.pdf

Mounting

The read heads cannot be embedded in a metal surface, as the read distance would be reduced thereby. In order to avoid mutual interference, the distance between the two read heads should be at least 300 mm.