



### Model Number

**NBB2-F76-E0-0,5M**

### Features

- 2 mm flush
- 3-wire DC

## Technical Data

### General specifications

Switching function		Normally open (NO)
Output type		NPN
Rated operating distance	$s_n$	2 mm
Installation		flush
Output polarity		DC
Assured operating distance	$s_a$	0 ... 1.62 mm
Reduction factor $r_{Al}$		0.25
Reduction factor $r_{Cu}$		0.2
Reduction factor $r_{304}$		0.63
Reduction factor $r_{Brass}$		0.31
Output type		3-wire

### Nominal ratings

Operating voltage	$U_B$	10 ... 30 V DC
Switching frequency	$f$	0 ... 1500 Hz
Hysteresis	$H$	typ. 5 %
Reverse polarity protection		reverse polarity protected
Short-circuit protection		pulsing
Voltage drop	$U_d$	$\leq 3$ V
Operating current	$I_L$	0 ... 100 mA
Off-state current	$I_r$	0 ... 0.5 mA typ. 10 $\mu$ A at 25 °C
No-load supply current	$I_0$	$\leq 15$ mA
Switching state indicator		LED yellow

### Functional safety related parameters

MTTF <sub>d</sub>		828 a
Mission Time (T <sub>M</sub> )		20 a
Diagnostic Coverage (DC)		0 %

### Ambient conditions

Ambient temperature		-25 ... 70 °C (-13 ... 158 °F)
---------------------	--	--------------------------------

### Mechanical specifications

Connection type		cable PVC, 0.5 m
Core cross-section		3 x 0.09 mm <sup>2</sup>
Housing material		PC
Degree of protection		IP67
Mass		5 g
Tightening torque, fastening screws		0.7 Nm

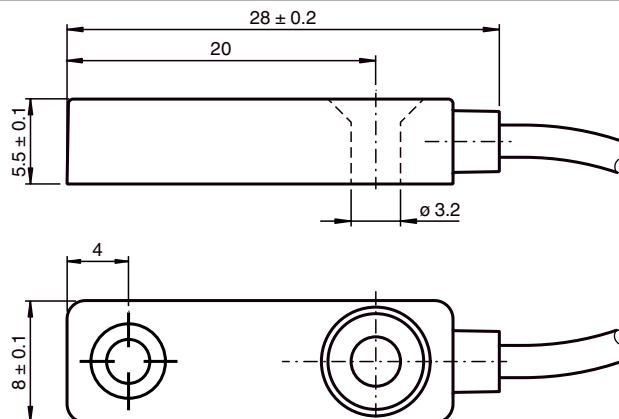
### Compliance with standards and directives

Standard conformity		
Standards		EN 60947-5-2:2007 EN 60947-5-2/A1:2012 IEC 60947-5-2:2007 IEC 60947-5-2 AMD 1:2012

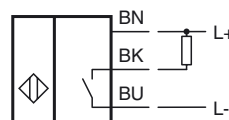
### Approvals and certificates

CCC approval		CCC approval / marking not required for products rated $\leq 36$ V
--------------	--	--

## Dimensions

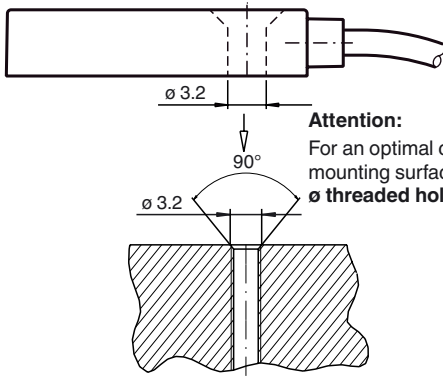


## Electrical Connection



**Additional Information**

**Important Mounting Note**



**Attention:**  
 For an optimal connection of the sensor via its sleeve with the mounting surface, the following applies:  
**Ø threaded hole on mounting surface (countersink) < Ø sleeve**