



### Model Number

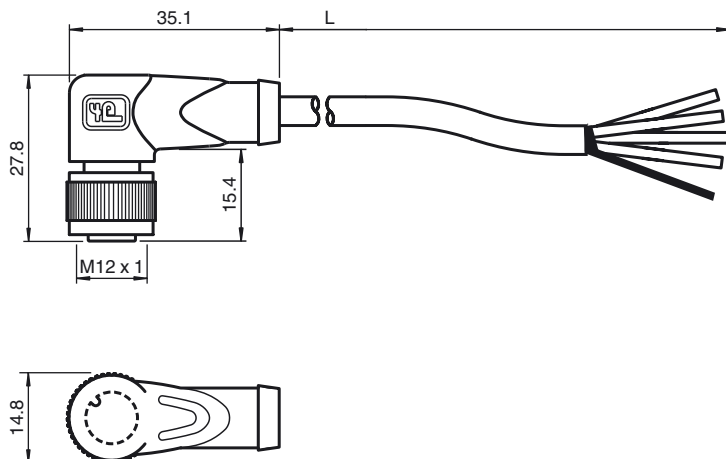
#### V1-W-50M-PUR-ABG

Female cordset, M12, 4-pin, shielded, PUR cable

### Features

- Knurled nut suitable for tool assembly
- Immunity to vibration, with mechanical latching
- Shield attached to coupling nut
- Gold plated contacts
- Degree of protection IP67 / IP68 / IP69K
- Halogen-free

### Dimensions



### Technical data

#### General specifications

Number of pins 4

#### Electrical specifications

Operating voltage  $U_B$  max. 250 V AC/DC  
 Operating current  $I_B$  max. 4 A  
 Volume resistance  $< 5 \text{ m}\Omega$

#### Ambient conditions

Ambient temperature Body:  $-40 \dots 90 \text{ }^\circ\text{C}$  ( $-40 \dots 194 \text{ }^\circ\text{F}$ )  
 cable, flexing:  $-25 \dots 80 \text{ }^\circ\text{C}$  ( $-13 \dots 176 \text{ }^\circ\text{F}$ )  
 cable, fixed:  $-25 \dots 80 \text{ }^\circ\text{C}$  ( $-13 \dots 176 \text{ }^\circ\text{F}$ )

Pollution Degree 3

#### Mechanical specifications

Contact elements spring-loaded contact socket

Pin diameter 1 mm

Degree of protection IP67

#### Material

Contacts CuSn / Au

Contact surface Au

Body TPU, black

Cable PUR

Slotted nut Diecast zinc

Core insulation PP

Cable fine-strand, flexible

Sheath diameter  $\varnothing 4.8 \text{ mm}$

Bending radius  $> 10 \times$  cable diameter, moving  
 $5 \times$  cable diameter, single bend

Color grey

Cores  $4 \times 0.34 \text{ mm}^2$

Conductor construction  $19 \times 0.15 \text{ mm } \varnothing$

Shield grid covering 85 %

Length L 50 m

#### Flammability

Contact material HB

Housing V-2

#### Compliance with standards and directives

##### Standard conformity

Degree of protection EN 60529:2000

Standards IEC 61076-2-101:2008

Flammability Grip: UL 94

### Electrical connection

