



Model Number

NJ6S1+U1+N1

Features

- 6 mm flush in ST37 / 1.0037
- Usable up to SIL 3 acc. to IEC 61508
- Nonferrous targets

Application



Danger!

In safety-related applications the sensor must be operated with a qualified fail safe interface from Pepperl+Fuchs, such as KFD2-SH-EX1. Consider the "exida Functional Safety Assessment" document which is available on www.pepperl-fuchs.com as an integral part of this product's documentation.

Accessories

MHW 01

Modular mounting bracket

MH 04-2681F

Mounting aid for VariKont, +U1+ and +U9*

MH 04-2057B

Mounting aid for VariKont and +U1+

Technical Data

General specifications

Switching function	Normally open (NO)
Output type	NAMUR with safety function
Rated operating distance	s_n 6 mm
Installation	flush
Assured operating distance	s_a 0 ... 4.86 mm
Reduction factor r_{Al}	1
Reduction factor r_{Cu}	1
Reduction factor r_{304}	0
Output type	2-wire

Nominal ratings

Nominal voltage	U_o	8.2 V (R_i approx. 1 k Ω)
Switching frequency	f	0 ... 100 Hz
Current consumption		
Measuring plate not detected		\leq 1 mA
Measuring plate detected		\geq 3 mA

Functional safety related parameters

Safety Integrity Level (SIL)	SIL 3
MTTF _d	9191 a
Mission Time (T _M)	20 a
Diagnostic Coverage (DC)	0 %

Ambient conditions

Ambient temperature	-25 ... 100 °C (-13 ... 212 °F)
---------------------	---------------------------------

Mechanical specifications

Connection type	screw terminals
Information for connection	A maximum of two conductors with the same core cross section may be mounted on one terminal connection! tightening torque 1.2 Nm + 10 % up to 2.5 mm ²
Core cross-section	without wire end ferrule 0.5 mm ² , with connector sleeves 0.34 mm ²
Minimum core cross-section	without wire end ferrule 2.5 mm ² , with connector sleeves 1.5 mm ²
Maximum core cross-section	
Housing material	PBT
Sensing face	PBT
Degree of protection	IP68
Note	only for non-ferrous metal

General information

Use in the hazardous area	see instruction manuals
---------------------------	-------------------------

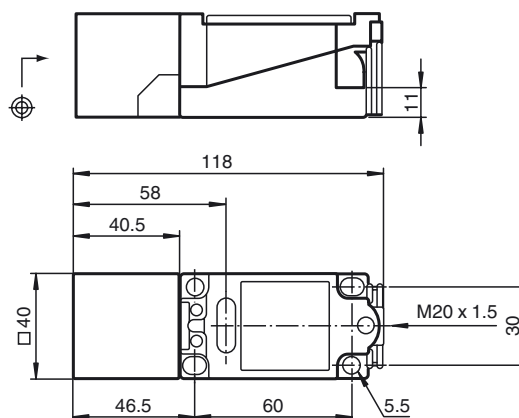
Compliance with standards and directives

Standard conformity	
NAMUR	EN 60947-5-6:2000 IEC 60947-5-6:1999
Standards	EN 60947-5-2:2007 EN 60947-5-2/A1:2012 IEC 60947-5-2:2007 IEC 60947-5-2 AMD 1:2012

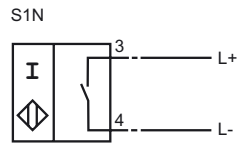
Approvals and certificates

FM approval	
Control drawing	116-0165
UL approval	cULus Listed, General Purpose
Ordinary Location	E87056
Hazardous Location	E501628
Control drawing	116-0454
CSA approval	cCSAus Listed, General Purpose
CCC approval	CCC approval / marking not required for products rated \leq 36 V

Dimensions



Electrical Connection



Data for application in connection with hazardous areas

Equipment protection level	Ga , Gb , Da , Mb
----------------------------	-------------------

Equipment protection level Ga

Type of protection	intrinsic safety
CE marking	CE 0102

Certificates

Appropriate type	NJ6S1+U.+N...
ATEX certificate	PTB 00 ATEX 2049 X
ATEX marking	Ⓔ II 1G Ex ia IIC T6...T1 Ga
Standards	EN 60079-0:2012+A11:2013 , EN 60079-11:2012
IECEX certificate	IECEX PTB 11.0092X
IECEX marking	Ex ia IIC T6...T1 Ga
Standards	IEC 60079-0:2011 , IEC 60079-11:2011

Effective internal capacitance	C_i	≤ 180 nF A cable length of 10 m is considered.
--------------------------------	-------	--

Effective internal inductance	L_i	≤ 150 μ H A cable length of 10 m is considered.
-------------------------------	-------	---

Maximum permissible ambient temperature T_{amb}	Also observe the maximum permissible ambient temperature stated in the general technical data. Keep to the lower of the two values.
---	--

for ATEX	<p>at $U_i = 16$ V , $I_i = 25$ mA , $P_i = 34$ mW , T6 : 57 °C (134.6 °F) T5 : 69 °C (156.2 °F) T4 : 97 °C (206.6 °F) T3 : 97 °C (206.6 °F) T2 : 97 °C (206.6 °F) T1 : 97 °C (206.6 °F)</p> <p>at $U_i = 16$ V , $I_i = 25$ mA , $P_i = 64$ mW , T6 : 52 °C (125.6 °F) T5 : 64 °C (147.2 °F) T4 : 92 °C (197.6 °F) T3 : 92 °C (197.6 °F) T2 : 92 °C (197.6 °F) T1 : 92 °C (197.6 °F)</p> <p>at $U_i = 16$ V , $I_i = 52$ mA , $P_i = 169$ mW , T6 : 34 °C (93.2 °F) T5 : 46 °C (114.8 °F) T4 : 74 °C (165.2 °F) T3 : 74 °C (165.2 °F) T2 : 74 °C (165.2 °F) T1 : 74 °C (165.2 °F)</p> <p>at $U_i = 16$ V , $I_i = 76$ mA , $P_i = 242$ mW , T6 : 22 °C (71.6 °F) T5 : 34 °C (93.2 °F) T4 : 61 °C (141.8 °F) T3 : 61 °C (141.8 °F) T2 : 61 °C (141.8 °F) T1 : 61 °C (141.8 °F)</p>
----------	--

for IECEX	<p>at $U_i = 16$ V , $I_i = 25$ mA , $P_i = 34$ mW , T6 : 73 °C (163.4 °F) T5 : 88 °C (190.4 °F) T4 : 100 °C (212 °F) T3 : 100 °C (212 °F) T2 : 100 °C (212 °F) T1 : 100 °C (212 °F)</p> <p>at $U_i = 16$ V , $I_i = 25$ mA , $P_i = 64$ mW , T6 : 69 °C (156.2 °F) T5 : 84 °C (183.2 °F) T4 : 100 °C (212 °F) T3 : 100 °C (212 °F) T2 : 100 °C (212 °F) T1 : 100 °C (212 °F)</p> <p>at $U_i = 16$ V , $I_i = 52$ mA , $P_i = 169$ mW , T6 : 51 °C (123.8 °F) T5 : 66 °C (150.8 °F) T4 : 80 °C (176 °F) T3 : 80 °C (176 °F) T2 : 80 °C (176 °F) T1 : 80 °C (176 °F)</p> <p>at $U_i = 16$ V , $I_i = 76$ mA , $P_i = 242$ mW , T6 : 39 °C (102.2 °F) T5 : 54 °C (129.2 °F) T4 : 61 °C (141.8 °F) T3 : 61 °C (141.8 °F) T2 : 61 °C (141.8 °F) T1 : 61 °C (141.8 °F)</p>
-----------	---

Release date: 2019-08-27 16:49 Date of issue: 2019-08-27 106661_eng.xml

Equipment protection level Gb

Type of protection	intrinsic safety	
CE marking	CE 0102	
Certificates		
Appropriate type	NJ6S1+U.+N...	
ATEX certificate	PTB 00 ATEX 2049 X	
ATEX marking	II 1G Ex ia IIC T6...T1 Ga	
Standards	EN 60079-0:2012+A11:2013 , EN 60079-11:2012	
IECEX certificate	IECEX PTB 11.0092X	
IECEX marking	Ex ia IIC T6...T1 Ga	
Standards	IEC 60079-0:2011 , IEC 60079-11:2011	
Effective internal capacitance	C_i	≤ 180 nF A cable length of 10 m is considered.
Effective internal inductance	L_i	≤ 150 μ H A cable length of 10 m is considered.
Maximum permissible ambient temperature T_{amb}	Also observe the maximum permissible ambient temperature stated in the general technical data. Keep to the lower of the two values. at $U_i = 16$ V , $I_i = 25$ mA , $P_i = 34$ mW , T6 : 73 °C (163.4 °F) T5 : 88 °C (190.4 °F) T4 : 100 °C (212 °F) T3 : 100 °C (212 °F) T2 : 100 °C (212 °F) T1 : 100 °C (212 °F) at $U_i = 16$ V , $I_i = 25$ mA , $P_i = 64$ mW , T6 : 69 °C (156.2 °F) T5 : 84 °C (183.2 °F) T4 : 100 °C (212 °F) T3 : 100 °C (212 °F) T2 : 100 °C (212 °F) T1 : 100 °C (212 °F) at $U_i = 16$ V , $I_i = 52$ mA , $P_i = 169$ mW , T6 : 51 °C (123.8 °F) T5 : 66 °C (150.8 °F) T4 : 80 °C (176 °F) T3 : 80 °C (176 °F) T2 : 80 °C (176 °F) T1 : 80 °C (176 °F) at $U_i = 16$ V , $I_i = 76$ mA , $P_i = 242$ mW , T6 : 39 °C (102.2 °F) T5 : 54 °C (129.2 °F) T4 : 61 °C (141.8 °F) T3 : 61 °C (141.8 °F) T2 : 61 °C (141.8 °F) T1 : 61 °C (141.8 °F)	

Equipment protection level Da

Type of protection	intrinsic safety	
CE marking	CE 0102	
Certificates		
Appropriate type	NJ6S1+U.+N...	
ATEX certificate	PTB 00 ATEX 2049 X	
ATEX marking	II 1D Ex ia IIIC T135°C Da	
Standards	EN 60079-0:2012+A11:2013 , EN 60079-11:2012	
IECEX certificate	IECEX PTB 11.0092X	
IECEX marking	Ex ia IIIC T135°C Da	
Standards	IEC 60079-0:2011 , IEC 60079-11:2011	
Effective internal capacitance	C_i	≤ 180 nF A cable length of 10 m is considered.
Effective internal inductance	L_i	≤ 150 μ H A cable length of 10 m is considered.
Maximum permissible ambient temperature T_{amb}	Also observe the maximum permissible ambient temperature stated in the general technical data. Keep to the lower of the two values. at $U_i = 16$ V , $I_i = 25$ mA , $P_i = 34$ mW : 100 °C (212 °F) at $U_i = 16$ V , $I_i = 25$ mA , $P_i = 64$ mW : 100 °C (212 °F) at $U_i = 16$ V , $I_i = 52$ mA , $P_i = 169$ mW : 80 °C (176 °F) at $U_i = 16$ V , $I_i = 76$ mA , $P_i = 242$ mW : 61 °C (141.8 °F)	

Equipment protection level Mb

Type of protection	intrinsic safety	
Certificates		
Appropriate type	NJ6S1+U.+N...	
IECEX certificate	IECEX PTB 11.0092X	
IECEX marking	Ex ia I Mb	
Standards	IEC 60079-0:2011 , IEC 60079-11:2011	
Effective internal capacitance	C_i	≤ 180 nF A cable length of 10 m is considered.
Effective internal inductance	L_i	≤ 150 μ H A cable length of 10 m is considered.

Release date: 2019-08-27 16:49 Date of issue: 2019-08-27 106661_eng.xml

Maximum permissible ambient temperature T_{amb}

Also observe the maximum permissible ambient temperature stated in the general technical data.
Keep to the lower of the two values.

at $U_i = 16\text{ V}$, $I_i = 25\text{ mA}$, $P_i = 34\text{ mW}$: 100 °C (212 °F)

at $U_i = 16\text{ V}$, $I_i = 25\text{ mA}$, $P_i = 64\text{ mW}$: 100 °C (212 °F)

at $U_i = 16\text{ V}$, $I_i = 52\text{ mA}$, $P_i = 169\text{ mW}$: 80 °C (176 °F)

at $U_i = 16\text{ V}$, $I_i = 76\text{ mA}$, $P_i = 242\text{ mW}$: 61 °C (141.8 °F)