



CE

### Model Number

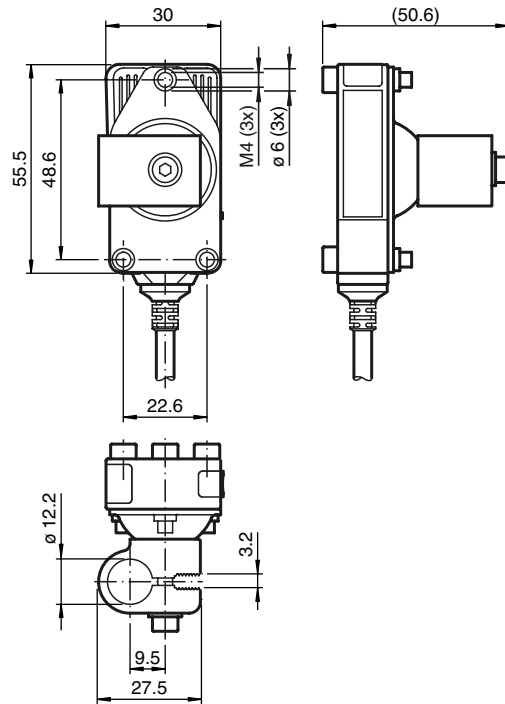
**OMH-09**

Mounting bracket for Sensors series MLV41 for M12 rod mounting

### Features

- Bracket for round steel or sheet

### Dimensions



### Technical data

#### Mechanical specifications

Material	Metal sheet (steel), zinc-plated
Mass	approx. 48 g
Mounting	Mounting accessories included

#### Suitable series

Series	MLV41
--------	-------