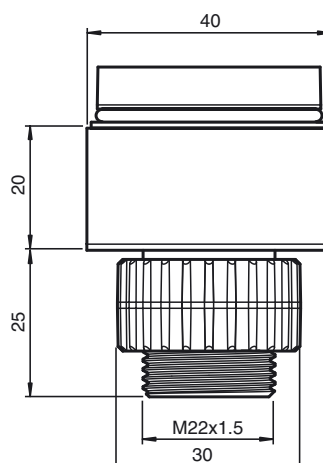




Dimensions



Model number

VAZ-MH-SHM-40MM

Adapter for single-hole mounting

Features

- Modular design

Matching system components

VAZ-CLAMP-40MM-IO

Signal tower connection element IO-Link with cover

VAZ-CLAMP-40MM

Stack light terminal base with cover plate

Technical data

General specifications

Color grey

Ambient conditions

Ambient temperature -30 ... 60 °C (-22 ... 140 °F)

Mechanical specifications

Degree of protection IP66

Cable entry Through hole

Material PC

Cable

Sheath diameter max. 9 mm

Mass 30 g

Mounting Single-hole mounting