



Model Number

NBB20-L3M-US-C3-V12

Features

- Sensing range 20 mm
- Weld Immune
- 2-corner LED, metal base & mount

Accessories

V12-W-YE2M-PUR-H/S

Connecting cable, 1/2" - 20 UNF, 3-pin, irradiated PUR cable

MHW 01

Modular mounting bracket

MH 02-L

Mounting aid

Technical Data

General specifications

Switching function	Normally open (NO)
Output type	Two-wire
Rated operating distance	s_n 20 mm
Installation	flush
Output polarity	AC/DC
Assured operating distance	s_a 0 ... 16.2 mm
Actual operating distance	s_r 18 ... 22 mm
Reduction factor r_{A1}	0.30 - 0.40
Reduction factor r_{304}	0.60 - 0.80
Output type	2-wire

Nominal ratings

Switching frequency	f	2 Hz
Hysteresis	H	3 ... 15 typ. 10 %
Reverse polarity protection		reverse polarity protected
Short-circuit protection		pulsing
Voltage drop	U_d	≤ 7 V
Operating current	I_L	3 ... 300 mA
Off-state current	I_r	≤ 1.7 mA
No-load supply current	I_0	≤ 0.6 mA
Operating voltage indicator		LED, green
Switching state indicator		LED, red

Indicators/operating means

LED red/green	Short circuit/overload indication
---------------	-----------------------------------

Electrical specifications

Rated operating voltage	U_e	24 ... 250 V DC / 24 ... 230 V AC
Operating voltage	U_B	20 ... 300 V DC / 20 ... 253 V AC

Ambient conditions

Ambient temperature	-25 ... 70 °C (-13 ... 158 °F)
Storage temperature	-40 ... 85 °C (-40 ... 185 °F)

Mechanical specifications

Connection type	Connector plug 1/2"-20 UN , 3-pin
Housing material	Zinc, PTFE coated
Sensing face	Thermoset Plastic
Housing base	Zinc, PTFE coated
Degree of protection	IP67

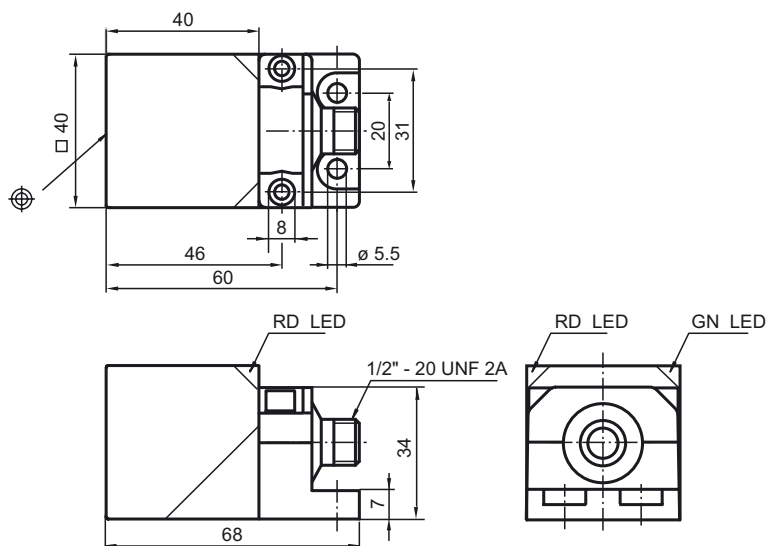
Compliance with standards and directives

Standard conformity	
Standards	IEC 61000-4 / EN 60947-5-2:2004

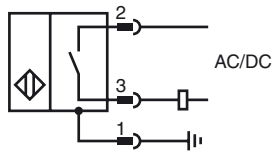
Approvals and certificates

UL approval	cULus Listed, General Purpose
CSA approval	cCSAus Listed, General Purpose
CCC approval	Certified by China Compulsory Certification (CCC)

Dimensions



Electrical Connection



Pinout



Wire colors

1	GN	(green)
2	RD/BK	(red/black)
3	RD/WH	(red/white)