



**Model Number**

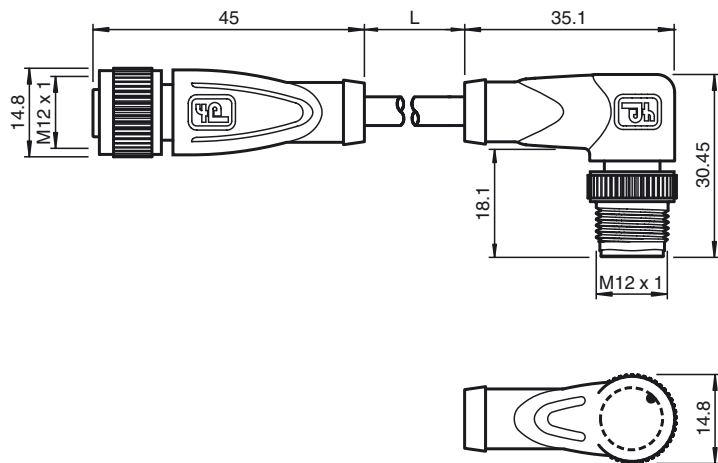
**V15-G-2M-PUR-V15-W**

Connecting cable, M12 to M12, PUR cable 5-pin

**Features**

- Knurled nut suitable for tool assembly
- Immunity to vibration, with mechanical latching
- Gold-plated and machined contacts
- Degree of protection IP67 / IP68 / IP69K
- Halogen-free

**Dimensions**



**Technical data**

**General specifications**

Number of pins	5
Connection 1	socket
Construction type 1	straight
Threading 1	M12
Connection 2	Male connector
Construction type 2	right angle
Threading 2	M12

**Electrical specifications**

Operating voltage	$U_B$	max. 48 V AC / 60 V DC
Operating current	$I_B$	max. 4 A
Contact resistance		< 10 mΩ

**Ambient conditions**

Ambient temperature	40 ... 90 °C (104 ... 194 °F) cable, fixed: -40 ... 80 °C (-40 ... 176 °F) cable, flexing: -30 ... 80 °C (-22 ... 176 °F)
Pollution degree	3

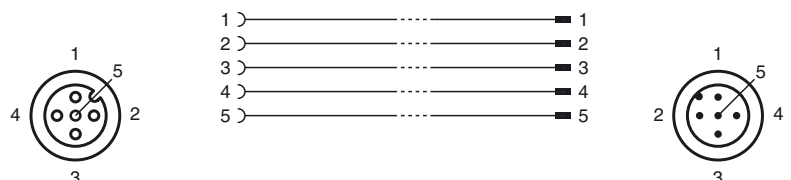
**Mechanical specifications**

Contact elements	spring-loaded contact socket
Pin diameter	1 mm
Degree of protection	IP67 / IP68 / IP69k
<b>Material</b>	
Contacts	CuSn / Au
Contact surface	Au
Body	TPU, black
Cable	PUR
Slotted nut	Diecast zinc
Sleeve connector	Diecast zinc
Core insulation	PP
Cable	fine-strand, flexible
Sheath diameter	Ø 4.8 mm
Bending radius	> 10 x cable diameter, moving
Color	grey
Cores	5 x 0.34 mm <sup>2</sup>
Conductor construction	19 x 0.15 mm Ø
Length	L 2 m
<b>Flammability</b>	
Contact carrier	94 HB
Housing	94 V-2

**Compliance with standards and directives**

<b>Standard conformity</b>	
Degree of protection	EN 60529:2000
Flammability	Grip: UL 94

**Electrical connection**



Release date: 2019-07-15 17:08 Date of issue: 2019-07-15 240776-100001\_eng.xml

Refer to "General Notes Relating to Pepperl+Fuchs Product Information".



Specification

connector M12 x 1 : IEC 61076-2-101

Release date: 2019-07-15 17:08 Date of issue: 2019-07-15 240778-100001\_eng.xml

Refer to "General Notes Relating to Pepperl+Fuchs Product Information".

Pepperl+Fuchs Group  
www.pepperl-fuchs.com

USA: +1 330 486 0001  
fa-info@us.pepperl-fuchs.com

Germany: +49 621 776 1111  
fa-info@de.pepperl-fuchs.com

Singapore: +65 6779 9091  
fa-info@sg.pepperl-fuchs.com