

Base for read/write station

U-P3-RX

- Degree of protection IP67
- With serial interfaces RS 232 and RS 485

Base with serial interfaces RS 232 and RS 485

CE

EAC

IDENT-I System P

Release date: 2020-03-27 Date of issue: 2020-03-27 Filename: 110697_eng.pdf

Function

The base is used in combination with an upper part, the IPT*-FP read/write station. Either an RS 232- or an RS 485-interface is available. The read/write station is connected to a higher-order control system via the serial interface and receives the commands for writing and/or reading code or data carriers via this interface.

Refer to "General Notes Relating to Pepperl+Fuchs Product Information".

Pepperl+Fuchs Group
www.pepperl-fuchs.com

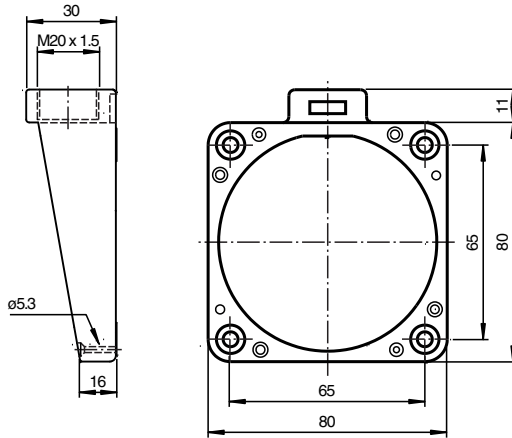
USA: +1 330 486 0001
fa-info@us.pepperl-fuchs.com

Germany: +49 621 776 1111
fa-info@de.pepperl-fuchs.com

Singapore: +65 6779 9091
fa-info@sg.pepperl-fuchs.com

PF PEPPERL+FUCHS

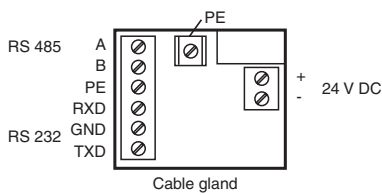
Dimensions



Technical Data


Electrical specifications		
Rated operating voltage	U_e	20 ... 30 V DC , ripple 10 % _{SS} , PELV
Power consumption	P_0	max. 4 W with read/write head IPT*-FP
Galvanic isolation		
Operating voltage/interface		functional insulation acc. to DIN EN 50178, rated insulation voltage 50 V _{eff}
Interface		
Physical		RS-232/RS-485
Protocol		ASCII
Transfer rate		1200; 2400; 4800; 9600; 19200; 38400
Cable length		≤ 15 m at RS 232 ≤ 1200 m at RS-485
Approvals and certificates		
EAC conformity		TR CU 020/2011
Ambient conditions		
Ambient temperature		-25 ... 70 °C (-13 ... 158 °F)
Storage temperature		-40 ... 85 °C (-40 ... 185 °F)
Mechanical specifications		
Degree of protection		IP67 according to EN 60529 with IPT*-FP
Connection		screw terminals
Interface cable		3 conductor, acc. to RS-232 or 2 acc. to RS-485
Supply		up to 3 x 1.5 mm ²
Material		
Housing		diecast aluminum

Connection





Release date: 2020-03-27 Date of issue: 2020-03-27 Filename: 110697_eng.pdf

Matching system components

	<p>IPT1-FP</p>	<p>LF R/W system, fully assembled as configuration and test station</p>
---	-----------------------	---

Accessories

	<p>RFIDControl</p>	<p>Software for RFID identification systems</p>
	<p>RFIDControl</p>	<p>Hot water appliances</p>

Release date: 2020-03-27 Date of issue: 2020-03-27 Filename: 110697_eng.pdf

Programming

Communication with the identification system is very easy with the demo program IDENT 2005. It shows the system options and simplifies commissioning.

The demo program is included in the scope of delivery.