



Model Number

NMB15-30GM55-Z9-C4-300MM-V1

Features

- 15 mm flush
- Increased operating distance
- Stainless steel sensing face
- 2-wire DC
- Weld field immune
- Weld slag resistant coating
- Pigtail quick disconnect

Accessories

AB-30-L3M-C

Mounting aid

V1-G-OR2M-POC

Female cordset, M12, 4-pin, TPE cable, welding-bead resistant

Technical Data

General specifications

| | | |
|-----------------------------|-------|--------------------------------|
| Switching function | | Normally open (NO) |
| Output type | | Two-wire |
| Rated operating distance | s_n | 15 mm |
| Installation | | flush |
| Output polarity | | DC |
| Assured operating distance | s_a | 0 ... 12.15 mm |
| Actuating element | | Ferrous and nonferrous targets |
| Reduction factor r_{Al} | | 0 |
| Reduction factor r_{Cu} | | 0 |
| Reduction factor r_{304} | | 0.8 |
| Reduction factor r_{St37} | | 1 |
| Output type | | 2-wire |

Nominal ratings

| | | |
|--------------------------------|-------|-----------------------------|
| Operating voltage | U_B | 6 ... 30 V DC |
| Switching frequency | f | 1 Hz |
| Hysteresis | H | 3 ... 15 typ. 5 % |
| Reverse polarity protection | | reverse polarity-conductive |
| Short-circuit protection | | yes |
| Voltage drop | U_d | < 3 V DC |
| Operating current | I_L | 2 ... 100 mA |
| Off-state current | I_r | < 400 μ A |
| Switching state indicator | | LED, red |
| Mag. Field strength, AC fields | | 250 mT |
| Mag. Field strength, DC fields | | 250 mT |

Ambient conditions

| | | |
|---------------------|--|-----------------------------|
| Ambient temperature | | 0 ... 70 °C (32 ... 158 °F) |
|---------------------|--|-----------------------------|

Mechanical specifications

| | | |
|----------------------|--|--|
| Connection type | | 300 mm POC cable with 3-pin, M12 x 1 connector |
| Housing material | | Xylan coated - Stainless steel 1.4305 / AISI 303 |
| Sensing face | | Xylan coated - Stainless steel 1.4305 / AISI 303 |
| Degree of protection | | IP67 / according to cable specification |

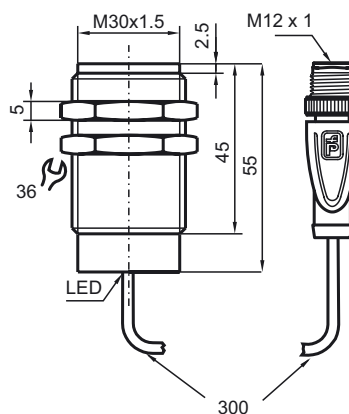
Compliance with standards and directives

| | | |
|---------------------|--|--------------------|
| Standard conformity | | EN 60947-5-2:2007 |
| Standards | | IEC 60947-5-2:2007 |

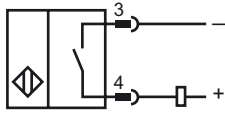
Approvals and certificates

| | | |
|--------------|--|--|
| UL approval | | cULus Listed, General Purpose |
| CSA approval | | cCSAus Listed, General Purpose |
| CCC approval | | CCC approval / marking not required for products rated ≤ 36 V |

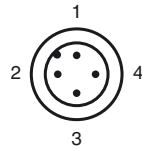
Dimensions



Electrical Connection

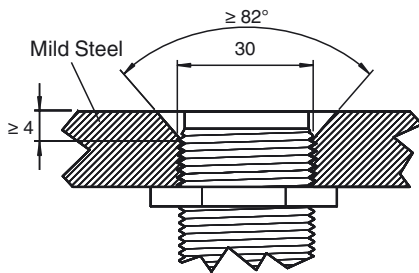


Pinout



Wire colors in accordance with EN 60947-5-2

| | | |
|---|----|---------|
| 1 | BN | (brown) |
| 2 | WH | (white) |
| 3 | BU | (blue) |
| 4 | BK | (black) |



Sensor face is flush with mounting surface.