



Model number

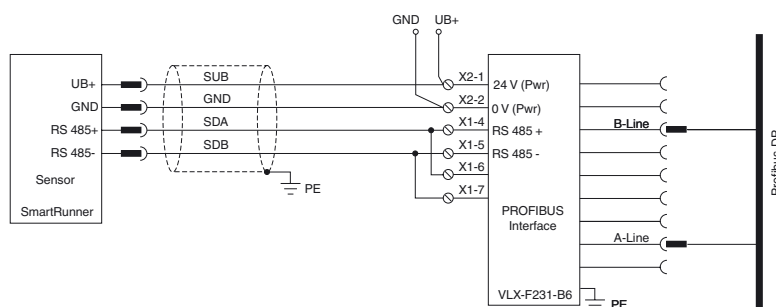
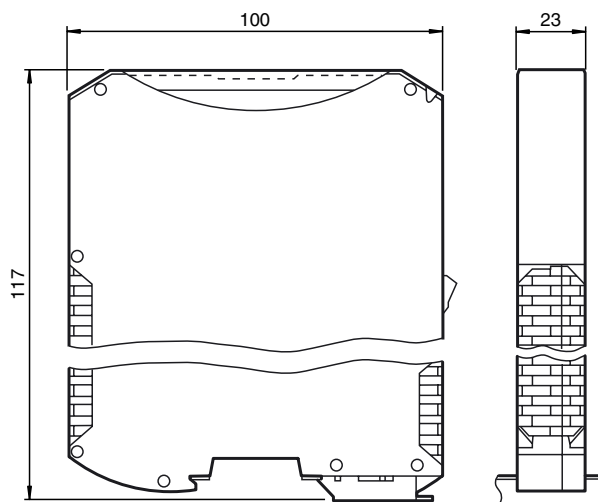
VLX-F231-B6

Interface module with PROFIBUS interface for SmartRunner

Features

- Up to 4 sensors can be connected
- DIN rail mounting
- PROFIBUS interface

Dimensions



Technical data

General specifications

Installation	DIN rail mounting
--------------	-------------------

Functional safety related parameters

MTTF _d	180 a
Mission Time (T _M)	10 a
Diagnostic Coverage (DC)	0 %

Electrical specifications

Operating voltage	U _B	10 ... 30 V DC
Power consumption	P ₀	≤ 3.6 W (without read heads)

Interface 1

Connection of	control system
Interface type	PROFIBUS DP V1
Transfer rate	max. 12 MBit/s, Automatic baud rate detection
Data output format	binary code
Bus termination resistor	switchable

Interface 2

Connection of	sensor
Interface type	RS-485
Transmission method	half duplex
Transfer rate	230 kBit/s
RS485 termination resistor	switchable
Refresh cycle of read head	1 ms

Standard conformity

Emitted interference	EN 55011, cl. A: 2007
Noise immunity	EN 61000-6-2:2005

Ambient conditions

Operating temperature	-40 ... 85 °C (-40 ... 185 °F), no moisture condensation
-----------------------	--

Storage temperature	-40 ... 85 °C (-40 ... 185 °F)
Relative humidity	≤ 80 %
Mechanical specifications	
Connection type	Interface 1: 9-pin Sub-D connector Interface 2: terminal connection ≤ 2.5 mm ² Interface 3: Terminal connection, 2-pin
Housing width	23 mm
Housing height	100 mm (without plug-in screw connector) 111 mm (incl. plug-in screw connector)
Housing depth	117 mm
Degree of protection	IP20
Material	plastic
Installation position	any position
Mass	approx. 130 g