

# Control interface unit

## IC-KP-B6-V15B



- Max. 4 read/write heads connectable
- Alternative 2 read/write heads and 2 trigger sensors can be connected
- LC display with background lightning
- Direct operation via 4 keys
- LED status indicator of bus communication and read/write heads

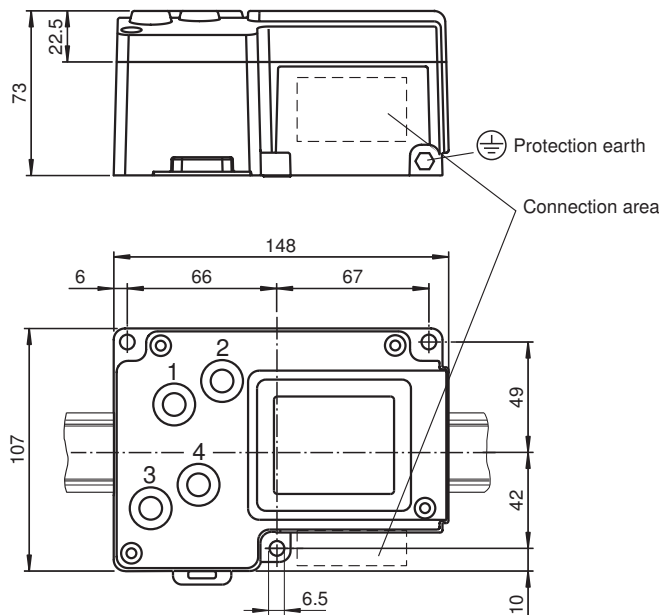
Control interface unit IDENTControl with PROFIBUS DP interface



### Function

The innovative concept of the RFID identification system IDENTControl from Pepperl+ Fuchs has many advantages in comparison to other systems. The core piece of the system is the evaluation unit IDENTControl. Thanks to the integrated interfaces for all standard field bus systems such as PROFIBUS, EtherNet, PROFINET IO, DeviceNet, serial connections (RS 232/RS 485/RS 422) and numerous connection options for inductive write/read heads as well as microwave antennas, the evaluation unit IDENTControl can be adjusted to your needs in a flexible and easy manner. LEDs indicate operating power and bus communication, connected write/read heads and active write/read commands. Mounting the unit onto DIN mounting rails is easy thanks to the snap-fits on the back of the housing of the evaluation unit IDENTControl. With its L-shaped housing, the evaluation unit including bus connector fits into a 120 mm grid in the switch cabinet. The mounting depth of 70 mm furthermore enables installation in flat switch boxes with a depth of only 100 mm. There are 3 further mounting holes for field mounting.

### Dimensions



Release date: 2020-03-27 Date of issue: 2020-03-27 Filename: 126087\_eng.pdf

Refer to "General Notes Relating to Pepperl+Fuchs Product Information".

Pepperl+Fuchs Group  
www.pepperl-fuchs.com

USA: +1 330 486 0001  
fa-info@us.pepperl-fuchs.com

Germany: +49 621 776 1111  
fa-info@de.pepperl-fuchs.com

Singapore: +65 6779 9091  
fa-info@sg.pepperl-fuchs.com

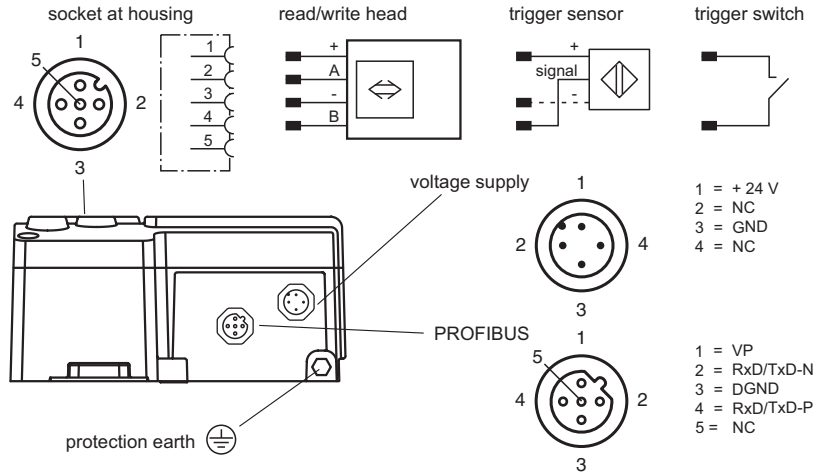
PEPPERL+FUCHS

## Technical Data

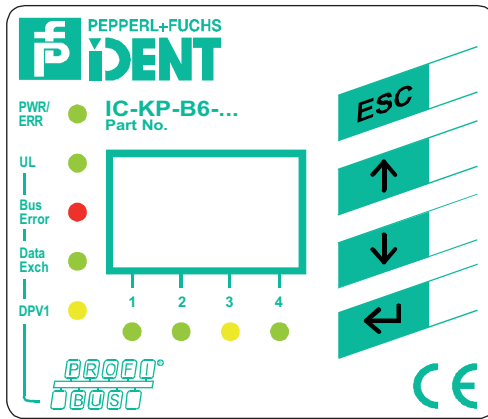
General specifications	
Number of read/write heads	max. 4 alternative 2 read/write heads and 2 trigger sensors
UL File Number	E87056
Indicators/operating means	
LEDs 1, 2, 3, 4	Status indicator for read/write heads green: command at read/write head active yellow: approx. 1 second long, if command was successfully executed
LED PWR/ERR	green: power on red: Hardware fault
LED UL	green: Interface Power ON/OK
LED Bus Error	red: Bus error
LED Data Exch	green: Slave is at state "Data Exchange"
LED DPV1	Yellow: not used
LC display	two-line multi-function display with 12 characters per line configuration of the control interface and display of connected read/write heads as additional pictograms; easy and direct selection of operating commands and addressing
Button	4 keys: ESC, up, down and return
Electrical specifications	
Rated operating voltage	$U_e$ 20 ... 30 V DC , PELV
Ripple	≤ 10 % at 30 V DC
Current consumption	≤ 2 A incl. read/write heads
Power consumption	$P_0$ 3.5 W Without read/write heads
Galvanic isolation	basic insulation acc. to DIN EN 50178, rated insulation voltage of 50 V <sub>eff</sub>
Interface	
Physical	RS-485
Protocol	PROFIBUS DP acc. to EN 50170
Transfer rate	9.6; 19.2; 93.75; 187.5; 500; 1500 kBit/s 3; 6; 12 Mbit/s self-synchronizing
Directive conformity	
Electromagnetic compatibility	
Directive 2014/30/EU	EN 61326-1:2013
Standard conformity	
Degree of protection	IEC 60529:2001
Ambient conditions	
Ambient temperature	-25 ... 70 °C (-13 ... 158 °F)
Storage temperature	-30 ... 80 °C (-22 ... 176 °F)
Climatic conditions	air humidity max. 96 % Salt spray resistant to EN 60068-2-52
Shock and impact resistance	Oscillation (Sine): 5 g, 10 - 1000 Hz to EN 60068-2-6 Shock (Half-sine): 30 g, 11 ms in accordance with EN 60068-2-27
Mechanical specifications	
Degree of protection	IP67
Connection	Read/write heads: shielded, 4-pin, M12 connector Power supply: M12 connector Protective earth: M6 earthing screw PROFIBUS: M12 connector, B-coded
Material	
Housing	powder coated aluminum
Installation	snap-on to 35 mm standard rail or screw fixing
Mass	approx. 1000 g

Release date: 2020-03-27 Date of issue: 2020-03-27 Filename: 126087\_eng.pdf

**Connection**



**Assembly**



**Accessories**

	<b>V1-G-5M-PUR-ABG-V1-W</b>	Connecting cable, M12 to M12, PUR cable 4-pin, shielded
	<b>ICZ-2T/TR-0,2M-PUR ABG-V15B-G</b>	Terminal cable for PROFIBUS with terminal resistor
	<b>V15B-G-5M-PUR-ABG-V15B-G</b>	PROFIBUS bus cable, M12 to M12, PUR cable
	<b>V1-G-5M-PUR</b>	Female cordset, M12, 4-pin, PUR cable

Release date: 2020-03-27 Date of issue: 2020-03-27 Filename: 126087\_eng.pdf