



**Model number**

**ICE2-8IOL-K45P-RJ45**

EtherNet/IP IO-Link master with 8 inputs/outputs, DIN rail, push-in connectors

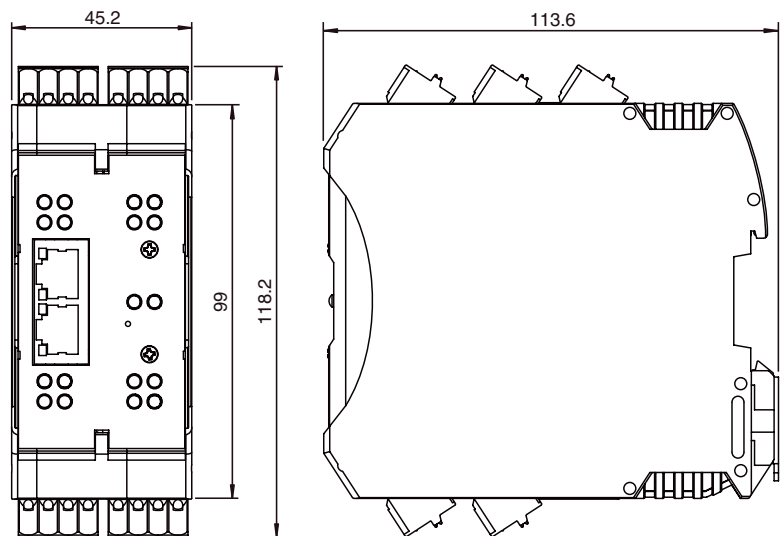
**Features**

- Web-based configuration of module and IO-Link devices
- Integrated IODD storage for more than 100 IODDs
- Downloadable module configuration
- EtherNet/IP, Modbus/TCP and OPC UA support
- Pluggable push-in connectors

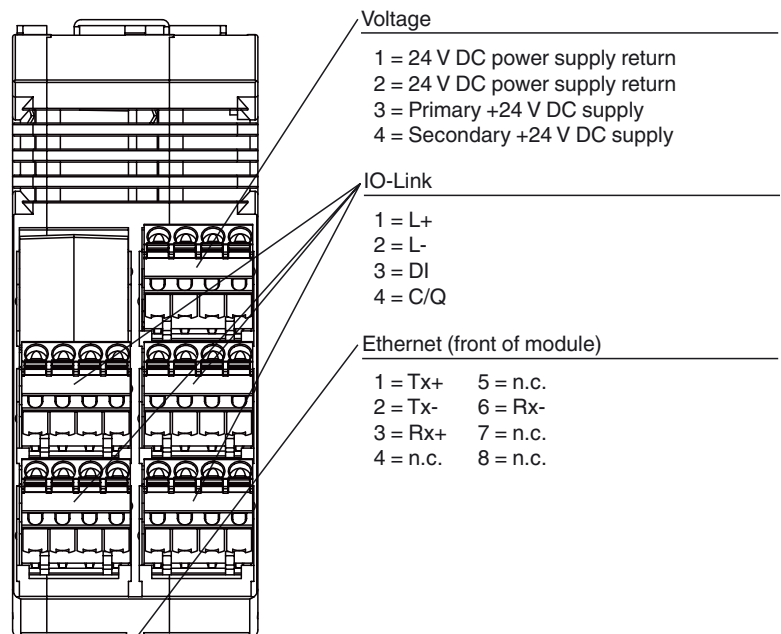
**Function**

The module is an EtherNet/IP fieldbus module with 8 type A IO-Link master ports according to the IO-Link standard V1.1. The module serves as an interface between the controller of an EtherNet/IP fieldbus system and IO-Link devices at the field level. The integrated web server and IODD interpreter enables complete configuration of the module and attached IO-Link devices without the need for special software tools. Information regarding the status of the module is also displayed and network parameters such as the IP address and subnet mask can be configured. The module is capable of storing all configuration enabling stand-alone usage without a higher-level PLC. MutliLink simultaneously provides data access via different communication protocols like EtherNet/IP, Modbus/TCP and OPC UA to multiple controllers. A pluggable push-in connector supplies power enabling a current rating of up to 3.7 A. The inputs and outputs are equipped with pluggable, push-in connectors. Connection to the fieldbus is achieved using a standard RJ45 Ethernet connector. Status information for each channel is displayed via LEDs as a diagnostic function.

**Dimensions**

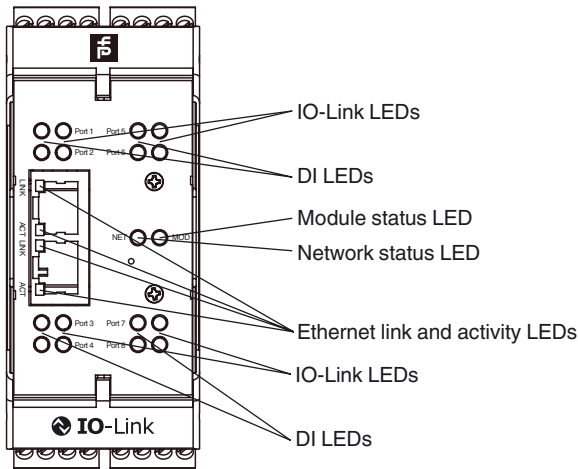


**Electrical connection**



Release date: 2019-10-31 10:47 Date of issue: 2019-11-11 70108831\_eng.xml

Indicating / Operating means



Technical data

General specifications

UL File Number E360395

Indicators/operating means

LED indication see manual

Electrical specifications

Rated operating voltage  $U_e$  18 ... 30 V DC  
 Nominal voltage 24 V DC  
 Nominal current 3.7 A  
 Current consumption typ. 155 mA  
 Current loading capacity Total current 3.2 A per module

Interface 1

Interface type Industrial Ethernet  
 Physical RJ45  
 Protocol EtherNet/IP + Modbus TCP + OPC UA  
 Transfer rate 10/100 Mbps

Inputs/Outputs

Number/Type 8 x IO-Link (X1 – X8)  
 Configurable as:  
 Max. 8 IO-Link and 8 digital outputs  
 Max. 16 digital inputs  
 Max. 8 digital inputs and 8 digital outputs  
 short-circuit protected  
 Sensor supply max. 200 mA Per port Via L+ (pin 1)  
 Output rated operating current  $I_e$  max. 200 mA Per port Via C/Q (pin 4)

Directive conformity

Electromagnetic compatibility  
 Directive 2014/30/EU EN 61000-6-2 , EN 61000-6-4

Standard conformity

Degree of protection EN 60529  
 Fieldbus standard Type 1 according to IEC 61131-2, EN 61131-9  
 Electrical safety CSA C22.2 No. 61010-1-12 / CSA C22.2 No. 61010-1-201  
 UL 61010-1 / UL 61010-1-201  
 Emitted interference EN 61000-6-4, FCC Part 15 Subpart B, ICES-001, AS/NZS CISPR 11  
 Noise immunity EN 61000-6-2 , EN 61131-2 , EN 61131-9  
 Shock resistance EN 60068-2-27

Ambient conditions

Ambient temperature -40 ... 70 °C (-40 ... 158 °F)  
 Storage temperature -40 ... 70 °C (-40 ... 158 °F)  
 Relative humidity max. 95 %  
 Altitude 0 ... 2000 m  
 Shock and impact resistance 15g, 11ms, half-sine  
 Vibration resistance 5-8Hz, 3.5mm displacement, 8.4-150Hz, 1.0g acceleration

Mechanical specifications

Degree of protection IP20  
 Connection Power Supply push-in connector  
 Fieldbus RJ45  
 Inputs/Outputs push-in connectors

Accessories

V1-G-2M-PUR

Female cordset, M12, 4-pin, PUR cable

V1-G-2M-PVC

Female cordset, M12, 4-pin, PVC cable

V1-W-2M-PUR

Female cordset, M12, 4-pin, PUR cable

V1-W-2M-PVC

Female cordset, M12, 4-pin, PVC cable

V31-WM-2M-PUR

Female cordset single-ended, M8, 4-pin, PUR cable

V31-GM-2M-PUR

Female cordset single-ended, M8, 4-pin, PUR cable

V31-GM-2M-PVC

Female cordset single-ended, M8, 4-pin, PVC cable

V31-WM-2M-PVC

Female cordset single-ended, M8, 4-pin, PVC cable

V45-G-10M-V45-G

Network cable RJ-45, Category 5

Material	
Housing	Polyamide, UL94V-0
Mass	250 g
Construction type	Cabinet module
Mounting	DIN mounting rail

Release date: 2019-10-31 10:47 Date of issue: 2019-11-11 70108831\_eng.xml

Refer to "General Notes Relating to Pepperl+Fuchs Product Information".

Pepperl+Fuchs Group  
www.pepperl-fuchs.com

USA: +1 330 486 0001  
fa-info@us.pepperl-fuchs.com

Germany: +49 621 776 4411  
fa-info@de.pepperl-fuchs.com

Singapore: +65 6779 9091  
fa-info@sg.pepperl-fuchs.com