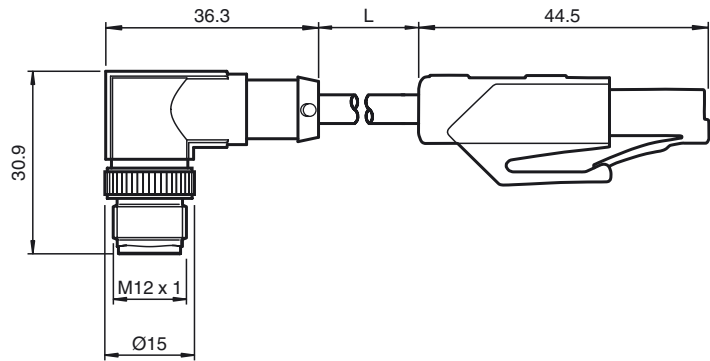


Dimensions



Model Number

V1SD-W-70M-PUR-ABG-V45-G

Connection cable, M12 to RJ-45, PUR cable 4-pin, CAT5e

Features

- D coding for Ethernet
- Hard-wearing PUR cable
- CAT5/CAT5e cable
- Halogen-free
- Completely silicon free

Accessories

MH V1-SCREWDRIVER
torque screwdriver (0.6 Nm)

MH V1-BIT M12
plug-in cap M12

V1/V3-LABELHOLDER
Label holder

V1/V3-LABEL
Label plate

V1-MARKING-RING-BLUE
Marking ring for M12 plug

V1-MARKING-RING-GREEN
Marking ring for M12 plug

V1-MARKING-RING-ORANGE
Marking ring for M12 plug

V1-MARKING-RING-RED
Marking ring for M12 plug

V1-MARKING-RING-WHITE
Marking ring for M12 plug

V1-MARKING-RING-YELLOW
Marking ring for M12 plug

Technical data

General specifications

Number of pins	4
Connection 1	Male connector
Construction type 1	right angle
Threading 1	M12
Connection 2	Male connector
Construction type 2	straight
Threading 2	RJ-45

Electrical specifications

Operating voltage	U_B	max. 48 V AC / 60 V DC
Operating current	I_B	max. 4 A
Volume resistance		150 mΩ/m

Ambient conditions

Ambient temperature	-20 ... 60 °C (-4 ... 140 °F) , stationary 0 ... 50 °C (32 ... 122 °F) , moving
---------------------	------------------------------------------------------------------------------------

Mechanical specifications

Degree of protection	IP67 / IP20
Connection	M12 x 1 connector, 4-pin, D-coded RJ-45 Category 5 , up to 100 MHz

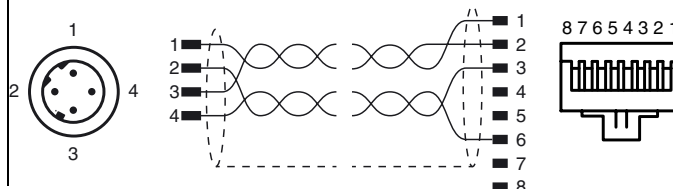
Material

Contacts	CuSn	
Contact surface	Ni/Au	
Body	TPU, black / PA	
Cable	PUR	
Core insulation	PE	
Cable	2 pairs with 2 wires each with 2 fillers for the core	
Sheath diameter	6.7 mm	
Bending radius	> 35 mm	
Color	water blue (RAL 5021)	
Number of cores	4	
Core cross-section	0.14 mm ²	
Conductor construction	7 x 0.15 mm Ø	
Shield	aluminum-lined polyester foil Tinned copper braiding, 65 % coverage	
Length	L	
Length	L	70 m

Compliance with standards and directives

Standard conformity	
Standards	CAT5 (IEC 11801:2002) , CAT5e (TIA 568B:2001)
Specification	connector M12 x 1 : IEC 61076-2-101

Electrical connection



Release date: 2019-07-12 10:10 Date of issue: 2019-07-12 70101608_eng.xml

Refer to "General Notes Relating to Pepperl+Fuchs Product Information".