



Model Number

NBN4-F29-E0-5M

Features

- 4 mm non-flush
- 3-wire DC

Technical Data

General specifications

Switching function	Normally open (NO)
Output type	NPN
Rated operating distance	s_n 4 mm
Installation	non-flush
Output polarity	DC
Assured operating distance	s_a 0 ... 3.24 mm
Reduction factor r_{AI}	0.4
Reduction factor r_{CU}	0.3
Reduction factor r_{304}	0.7
Output type	3-wire

Nominal ratings

Operating voltage	U_B	4.75 ... 30 V DC
Switching frequency	f	0 ... 1000 Hz
Hysteresis	H	typ. 5 %
Reverse polarity protection		reverse polarity protected
Short-circuit protection		pulsing
Voltage drop	U_d	≤ 3 V
Operating current	I_L	0 ... 100 mA
Off-state current	I_r	0 ... 0.5 mA typ. 0.1 μ A at 25 °C
No-load supply current	I_0	≤ 10 mA
Time delay before availability	t_v	≤ 5 ms
Switching state indicator		LED, yellow

Functional safety related parameters

MTTF _d	1680 a
Mission Time (T_M)	20 a
Diagnostic Coverage (DC)	0 %

Ambient conditions

Ambient temperature	-25 ... 70 °C (-13 ... 158 °F)
---------------------	--------------------------------

Mechanical specifications

Connection type	cable PVC, 5 m
Core cross-section	0.14 mm ²
Housing material	PPS
Sensing face	PPS
Degree of protection	IP67
Cable	
Cable diameter	3.5 mm \pm 0.2 mm
Bending radius	> 10 x cable diameter

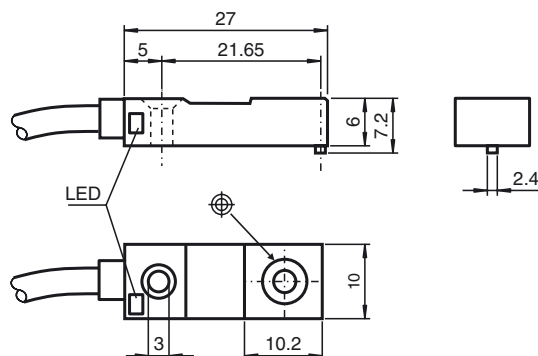
Compliance with standards and directives

Standard conformity	
Standards	EN 60947-5-2:2007 EN 60947-5-2/A1:2012 IEC 60947-5-2:2007 IEC 60947-5-2 AMD 1:2012

Approvals and certificates

UL approval	cULus Listed, General Purpose
CSA approval	cCSAus Listed, General Purpose
CCC approval	CCC approval / marking not required for products rated ≤ 36 V

Dimensions



Electrical Connection

