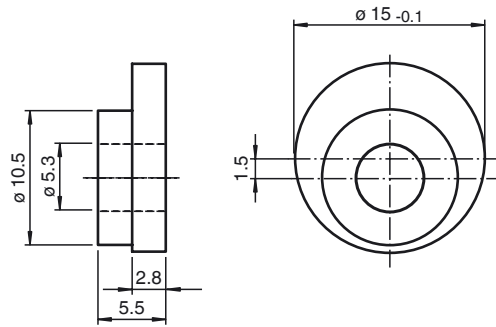


**Dimensions****Model Number****9312-3**

Synchro clamping element

Technical data**General information**

Scope of delivery 3 item(s)