



Base for read/write station, stainless steel version

U-P6V4A-B6

- PROFIBUS DP acc. to EN 50170
- 2 PG screw fittings for IN and OUT supply
- 2 EMV PG screw fittings for BUS IN and OUT
- Complete read/write functionality via the PROFIBUS DP
- Transmission of up to 7 double words, 32 bit each, in one cycle
- Connectable bus termination
- Field device with degree of protection IP67
- high-grade steel housing V4A
- Resistant against cleaning material

Base for PROFIBUS DP, stainless steel version

CE

IDENT-1 System P

Release date: 2020-03-27 Date of issue: 2020-03-27 Filename: 128232_eng.pdf

Function

The base is used in combination with an upper part, the IPT*-FP read/write station. The device is operated as a slave on the PROFIBUS DP. The device makes available the complete read/write functionality. Up to 32 bytes are transmitted per cycle. Of these, up to 7 double words, each with 32 bits, are available to the user. The address is set and the terminating resistor for the bus is connected via DIP switches.

Refer to "General Notes Relating to Pepperl+Fuchs Product Information".

Pepperl+Fuchs Group
www.pepperl-fuchs.com

USA: +1 330 486 0001
fa-info@us.pepperl-fuchs.com

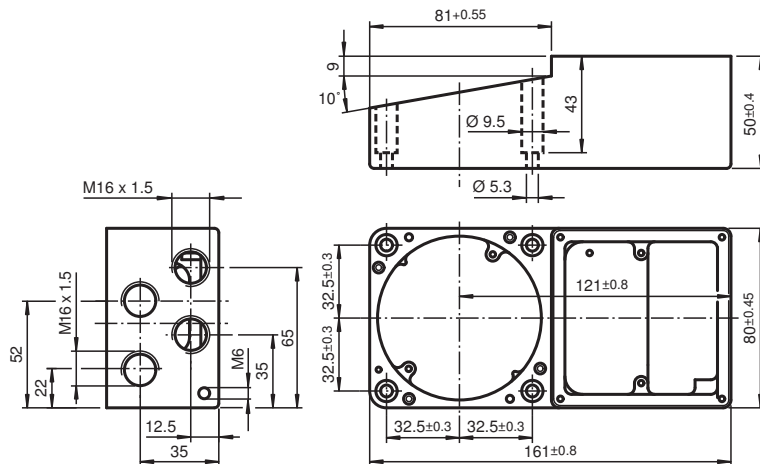
Germany: +49 621 776 1111
fa-info@de.pepperl-fuchs.com

Singapore: +65 6779 9091
fa-info@sg.pepperl-fuchs.com

PEPPERL+FUCHS

While the bus termination is switched on, the subsequent subscribers which are connected to the terminals (P, N out) are disconnected from the bus.

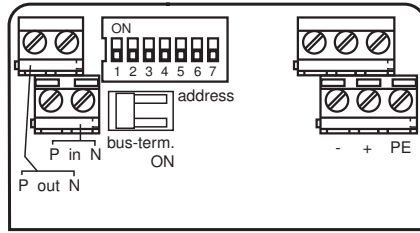
Dimensions



Technical Data

| Indicators/operating means | |
|-----------------------------|--|
| DIP switch | Setting the station address bus connection ON = active OFF = non-active |
| Electrical specifications | |
| Rated operating voltage | U_e 20 ... 30 V DC , ripple 10 % _{SS} , PELV |
| Power consumption | P_0 max. 5 W with read/write head IPT*-FP |
| Galvanic isolation | |
| Operating voltage/interface | functional insulation acc. to DIN EN 50178, rated insulation voltage 50 V _{eff} |
| Interface | |
| Physical | RS-485 |
| Protocol | PROFIBUS DP acc. to EN 50170 |
| Transfer rate | 9.6; 19.2; 93.75; 187.5; 500; 1500 kBit/s 3; 6; 12 Mbit/s self-synchronizing |
| Ambient conditions | |
| Ambient temperature | -25 ... 70 °C (-13 ... 158 °F) |
| Storage temperature | -40 ... 85 °C (-40 ... 185 °F) |
| Mechanical specifications | |
| Degree of protection | IP67 (only in connection with write/read head or cover) |
| Connection | screw terminals |
| Interface cable | 2 x 0.64 mm ² , double screened, acc. to PROFIBUS standard EN 50170 |
| Supply | up to 3 x 1.5 mm ² |
| Material | |
| Housing | stainless steel V4A |

Connection



Matching system components

| | | |
|--|-----------------------|---|
| | <p>IPT1-FP</p> | <p>LF R/W system, fully assembled as configuration and test station</p> |
|--|-----------------------|---|