

Base for read/write station

U-P4-RX

- Degree of protection IP67
- With serial interfaces RS 232 and RS 485

Base with serial interfaces RS 232 and RS 485

CE

IDENT-I System P

Release date: 2020-03-27 Date of issue: 2020-03-27 Filename: 113812_eng.pdf

Function

The base is used in combination with an upper part, the IPT*-FP read/write station. Either an RS 232- or an RS 485-interface is available. The read/write station is connected to a higher-order control system via the serial interface and receives the commands for writing and/or reading code or data carriers via this interface.

Refer to "General Notes Relating to Pepperl+Fuchs Product Information".

Pepperl+Fuchs Group
www.pepperl-fuchs.com

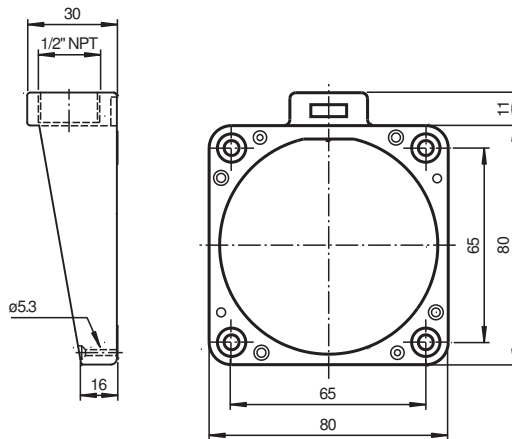
USA: +1 330 486 0001
fa-info@us.pepperl-fuchs.com

Germany: +49 621 776 1111
fa-info@de.pepperl-fuchs.com

Singapore: +65 6779 9091
fa-info@sg.pepperl-fuchs.com

PF PEPPERL+FUCHS

Dimensions



Technical Data

Electrical specifications

Rated operating voltage	U_e	20 ... 30 V DC , ripple 10 % _{SS} , PELV
Power consumption	P_0	max. 4 W with read/write head IPT*-FP
Galvanic isolation		
Operating voltage/interface		functional insulation acc. to DIN EN 50178, rated insulation voltage 50 V _{eff}

Interface

Physical	RS-232/RS-485
Protocol	ASCII
Transfer rate	1200; 2400; 4800; 9600; 19200; 38400
Cable length	≤ 15 m at RS 232 ≤ 1200 m at RS-485

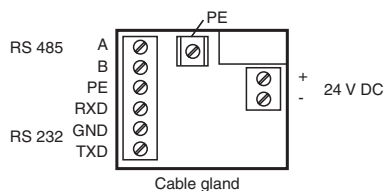
Ambient conditions

Ambient temperature	-25 ... 70 °C (-13 ... 158 °F)
Storage temperature	-40 ... 85 °C (-40 ... 185 °F)

Mechanical specifications

Degree of protection	IP67 according to EN 60529 with IPT*-FP
Connection	screw terminals
Interface cable	3 conductor, acc. to RS-232 or 2 acc. to RS-485
Supply	up to 3 x 1.5 mm ²
Material	
Housing	diecast aluminum

Connection



Programming

Communication with the identification system is very easy with the demo program IDENT 2005. It shows the system options and simplifies commissioning.

The demo program is included in the scope of delivery.