



Model Number

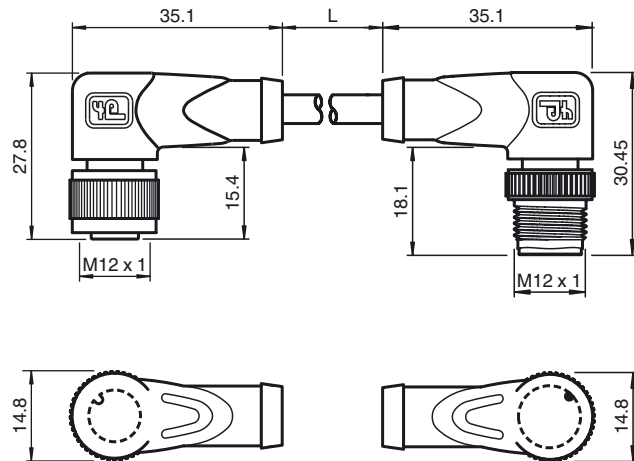
V1-W-10M-PUR-ABG-V1-W

Connecting cable, M12 to M12, PUR cable 4-pin, shielded

Features

- Knurled nut suitable for tool assembly
- Immunity to vibration, with mechanical latching
- Shield attached to coupling nut
- Gold-plated and machined contacts
- Degree of protection IP67 / IP68 / IP69K
- Halogen-free

Dimensions



Technical data

General specifications

Number of pins 4

Electrical specifications

Operating voltage U_B max. 250 V AC/DC
 Operating current I_B max. 4 A
 Contact resistance < 10 mΩ

Ambient conditions

Ambient temperature -40 ... 90 °C (-40 ... 194 °F) for 20000 h
 -40 ... 125 °C (-40 ... 257 °F) for 3000 h
 Pollution degree 3

Mechanical specifications

Contact elements spring-loaded contact socket
 Pin diameter 1 mm
 Degree of protection IP67 / IP68 / IP69K

Material

Contacts CuSn / Au
 Contact surface Au
 Body TPU, green
 Cable PUR
 Slotted nut Diecast zinc
 Sleeve connector Diecast zinc
 Core insulation PP
 Cable fine-strand, flexible
 Sheath diameter Ø4.8 mm
 Bending radius > 10 x cable diameter, moving
 Color grey
 Cores 4 x 0.34 mm²
 Conductor construction 19 x 0.15 mm Ø
 Shield grid covering 85 %
 Length L 10 m

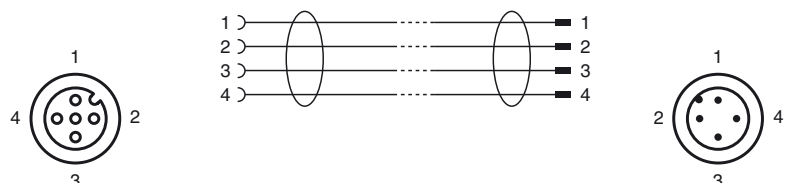
Flammability

Contact carrier 94 HB
 Housing 94 V-2

Compliance with standards and directives

Standard conformity
 Degree of protection EN 60529:2000
 Standards IEC 61076-2-101:2008

Electrical connection



Release date: 2017-06-21 09:30 Date of issue: 2017-06-21 240789-100000_eng.xml