



Model Number

V1-4A-E2-M23

Quadruple splitter boxes with M23 connector

Features

- Fast, flexible installation/separation
- LED indicator for module supply and I/O status
- Degree of protection IP67

Accessories

VAZ-V1-B3

Blind plug for M12 sockets

MH 05-SACB-4

Mounting aid for splitter boxes for DIN rail

MH V1-SCREWDRIVER

torque screwdriver (0.4 Nm)

MH V1-BIT M12

plug-in cap M12

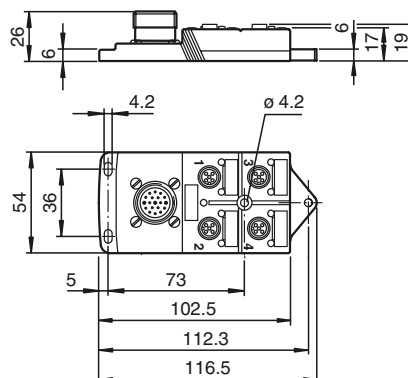
V23-G-5M-PUR

Female cordset, M23, 12-pin, PUR cable

V23-G-10M-PUR

Female cordset, M23, 12-pin, PUR cable

Dimensions



Technical data

General specifications

Number of pins	4
UL File Number	E191152

Electrical specifications

Operating voltage	U_B	24 V DC, max. 30 V DC
Operating current	I_B	≤ 5 mA per channel indication element
Current loading capacity		≤ 2 A per channel, ≤ 4 A per plug-in station, ≤ 12 A total current per separator

Output

Number/Type	4
-------------	---

Ambient conditions

Ambient temperature	-20 ... 75 °C (-4 ... 167 °F)
---------------------	-------------------------------

Mechanical specifications

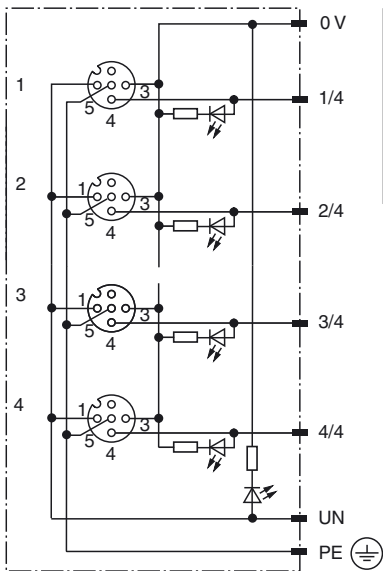
Connection type	4 x socket M12 x 1 4-pin 1 x Male connector M23
Degree of protection	IP65/IP67
Material	
Contacts	CuSn
Contact surface	Ni/Au
Housing	PA
Seal	O-ring: NBR
Mass	approx. 100 g
Flammability	94 V-0

Compliance with standards and directives

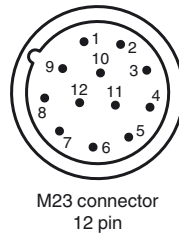
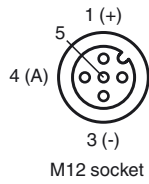
Standard conformity	
Degree of protection	EN 60529

Release date: 2018-03-22 11:19 Date of issue: 2018-03-22 180247_eng.xml

Electrical connection



Slot/Pin (signal)	Pin M23
1 / 4 (A)	1
2 / 4 (A)	2
3 / 4 (A)	3
4 / 4 (A)	4
1-4 / 1 (UN)	11
1-4 / 3 (0 V)	9+10
1-4 / 5 (PE)	12



Release date: 2018-03-22 11:19 Date of issue: 2018-03-22 180247_eng.xml