



EtherNet/IP™

Model number

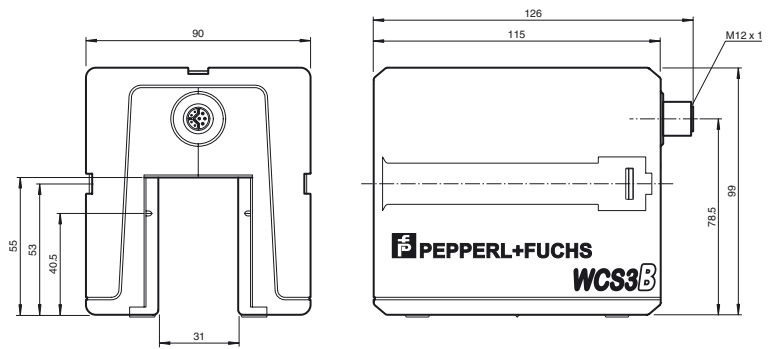
WCS3B-LS510

Read head with EtherNet/IP interface

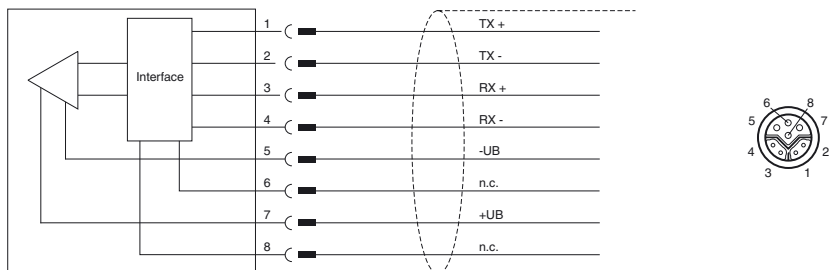
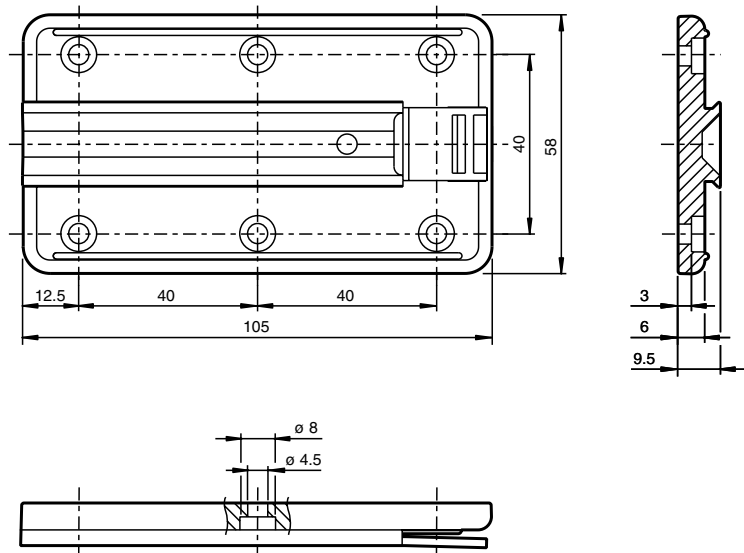
Features

- Non-contact, absolute position encoder
- Output of position and speed
- Automatic detection of dirt accumulation
- Unicast communication
- A shared connection for supply and Ethernet

Dimensions



Mounting plate



Technical data

General specifications

Passage speed	v	≤ 12.5 m/s
Measuring range		max. 314.5 m
Free tolerances to code rail		horizontal: 31 mm (± 15.5 mm) vertical: 28 mm (± 14 mm)
Resolution		± 0.4 mm (1,250 positions/m)

Release date: 2019-08-12 15:51 Date of issue: 2019-08-12 262006_eng.xml

Refer to "General Notes Relating to Pepperl+Fuchs Product Information".

Functional safety related parameters	
MTTF _d	181 a
Mission Time (T _M)	20 a
Diagnostic Coverage (DC)	0 %
Indicators/operating means	
LED green	ETHERNET link To: ETHERNET connection OK
LED yellow	ETHERNET Bus Activity Flashing: data transfer
LED red	ETHERNET communication To: communication error
LED red/green	Status indication Green: code rail detected, normal function Red: system error Flashing red: no code rail detected
Electrical specifications	
Operating voltage	U _B 10 ... 30 V DC
Power consumption	P ₀ 6 W
Interface	
Interface type	100 BASE-TX
Data output code	binary code
Protocol	EtherNet/IP
Transfer rate	100 MBit/s
Standard conformity	
Emitted interference	EN 61000-6-4:2007+A1:2011
Noise immunity	EN 61000-6-2:2005
Shock resistance	EN 60068-2-27:2009
Vibration resistance	EN 60068-2-6:2008
Ambient conditions	
Operating temperature	0 ... 60 °C (32 ... 140 °F)
Storage temperature	-40 ... 85 °C (-40 ... 185 °F)
Relative humidity	90 % , noncondensing
Mechanical specifications	
Connection type	8-pin, M12 x 1 connector socket, Y-coded
Cable gland	Max. tightening torque of the cap nut: ≤ 0.4 Nm
Degree of protection	IP54
Material	
Housing	ABS , PC (Polycarbonate)
Mass	500 g
General information	
Ordering information	Mounting plate included with delivery

Accessories

V19SY-G-BK5M-PUR-ABG

Male single-ended cordset, M12, 8-pin, Y encryption, PUR cable, shielded

V19SY-G-BK2M-PUR-ABG

Male single-ended cordset, M12, 8-pin, Y encryption, PUR cable, shielded

WCS3B-PL2

Transparent protective case and seal for WCS3B reader

WCS-MP1

Mounting plate for reading heads WCS2 and WCS3

V19SY-G-BK10M-PUR-ABG

Male single-ended cordset, M12, 8-pin, Y encryption, PUR cable, shielded

V45-G

Field-attachable male connector

V45-GP

Field-attachable "Push-Pull" connector

V15S-W-ABG-PG9

Cable connector, M12, 5-pin, shielded, non pre-wired

V15S-G-ABG-PG9

Cable connector, M12, 5-pin, shielded, non pre-wired

WCS-V45DIN-8P

Terminal Block